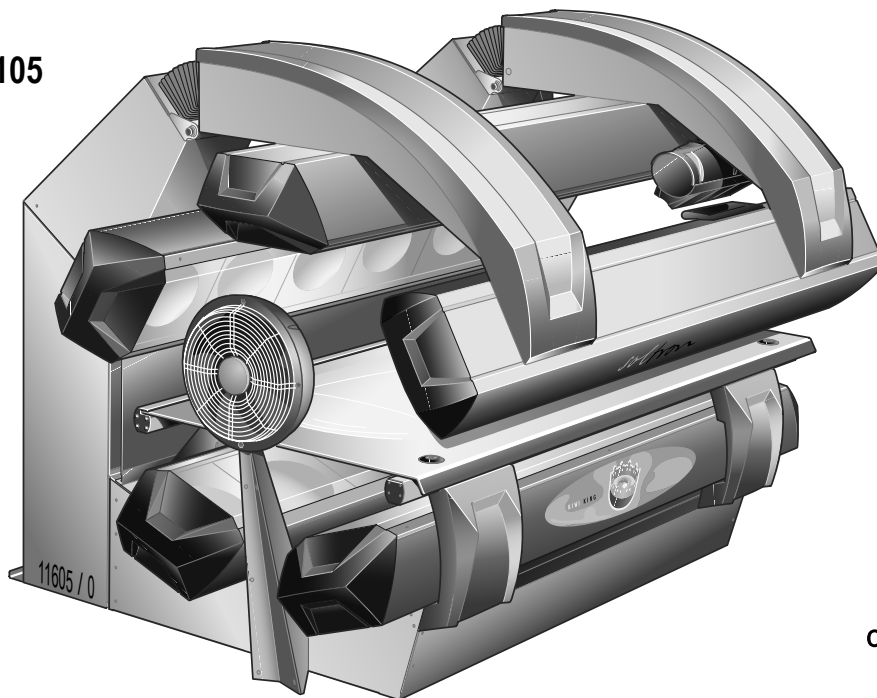


soltron

1006724-00 / us / kn / 11.2008

Soltron XXL-105 Ultra Power



OPERATING INSTRUCTIONS

USA

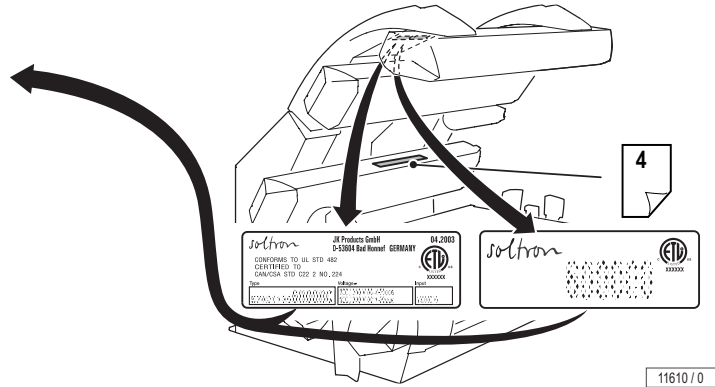
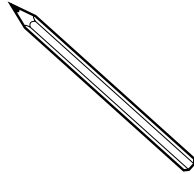
CDN



Identify your tanning device

For contact with Customer Services, please write down the device number of your tanning device.

| | | | | | | | | | |
|--|--|--|--|--|--|--|--|--|--|
| | | | | | | | | | |
|--|--|--|--|--|--|--|--|--|--|



Global Service USA
A Div of JK Products & Services, Inc.
#1 Walter Kratz Drive
Jonesboro, AR 72401



☎ 800-445-0624
📠 870-935-9046

e-mail: support@jkamerica.com
<http://support.jkamerica.com>

Skin types

Skin types

For the recommended exposure schedule see page 4.

Skin type I (Sensitive):

Invariably gets sunburn, accepts little natural sunlight and does not tan.

Skin type II (Fair):

This is the individual that usually burns easily and severely, tans minimally or lightly and peels.

Skin type III (Average):

Often referred to as “Average” complexion, burns moderately and tans about average.

Skin type IV (Brown):

This individual burns minimally, tans easily and above average with each exposure.

Skin type V (Dark Brown):

This individual's system rarely burns, tans easily and substantially.

Tanning times

| DANGER ULTRAVIOLET RADIATION | | Recommended Exposure Schedule | | | | |
|---|----------------|-----------------------------------|-----------------------------------|------------------------------------|-------------------------------------|------------------------------------|
| <p>Follow instructions. Avoid over-exposure as with natural sunlight. Over-exposure can cause eye and skin injury and allergic reactions. Repeated exposure may cause premature aging of the skin and skin cancer.</p> <p>Maximum Tanning Time is 12 Minutes</p> | Skin Type | Week 1 1st - 3rd Treatments | Week 2 4th - 6th Treatments | Week 3 7th - 10th Treatments | Week 4 11th - 15th Treatments | Weekly Subsequent Treatments |
| | I - Sensitive | NOT ADVISED | NOT ADVISED | NOT ADVISED | NOT ADVISED | NOT ADVISED |
| | II - Fair | 2 Min. | 5 Min. | 8 Min. | 10 Min. | 12 Min. |
| | III - Average | 2 Min. | 5 Min. | 8 Min. | 10 Min. | 12 Min. |
| | IV - Brown | 2 Min. | 7 Min. | 10 Min. | 12 Min. | 12 Min. |
| | V - Dark Brown | 2 Min. | 7 Min. | 10 Min. | 12 Min. | 12 Min. |

| | | |
|--|---|--|
| <p>WEAR PROTECTIVE EYEWEAR! Failure to do so may result in severe burns or long term injury to the eyes.</p> <p>Certain medications or cosmetics may increase your sensitivity to the ultraviolet radiation. Consult a physician before using sunlamps if you are using medication, have a history of skin problems or believe yourself to be especially sensitive to sunlight. If you do not tan in the sun, you are unlikely to tan from the use of this product.</p> | <p>This unit utilizes UVA lamps. Replace only with JK 60/80 EF E-13138 (high pressure) or recognized equivalents. To obtain recommended exposure at a minimum distance of 1/2" (13mm) measured with a standard ruler, lie on acrylic surface of lounge and lower canopy. Canopy will stop at the correct distance from lounge acrylic surface.</p> <p>Warning: The use of any other position may result in overexposure!</p> | |
|--|---|--|

| | | |
|--|---|--|
| <p>Tanning can begin on a regular basis. An appearance of tanning normally appears after a few exposures and maximizes after four (4) weeks of exposure following the recommended exposure schedule for skin type. In order to provide for maintenance of a tan a maximum of two (2) weekly 12 minute sessions is recommended from the fifth week onward.</p> <p>Do not tan more than once in a 24 hour period.</p> | <p>Use protective eyewear (Part No. Schmeidler 2255 Red or recognized equivalents) when equipment is on. Read and follow instruction booklet before using this product. To avoid electrical shock during maintenance disconnect power from unit.</p> <p>Part No: 1501024-00-B</p> | |
|--|---|--|



Note:
Description of skin types see
Page 3.

07516 / 1

"This product is in conformity with performance standards for sunlamp products under CFR21 Part 1040."

| | |
|--|-----------|
| Table of contents | 7 |
| General safety instructions and information | 9 |
| Description | 18 |
| Operation | 21 |
| Maintenance | 31 |
| Technical data / appendix | 59 |
| Index | 71 |



Dear Customer,

The Soltron device you have purchased is a technically advanced and powerful product. Your device was manufactured with the greatest care and precision. It went through numerous quality and safety checks in order to guarantee trouble-free, safe operation. Nonetheless, you can also make a significant contribution to your long-term satisfaction with your device. Following the tips and instructions in the instruction manual will ensure you enjoyment and pleasure with your device.

If you have any questions, we are always available to answer them.¹⁾

Yours sincerely

JK-Products, Inc.

- Read and observe the information in this instruction manual. This will enable you to prevent accidents and provide you with a reliable device ready for use.
- Always observe current legal and other regulations and legal requirements as well as the applicable environmental protection regulations.



Note:

We reserve the right to make technical changes to the illustrations and specifications in this instruction manual. Reprinting and reproduction, in whole or in part, of this manual is only permitted with our previous written approval and with the source specified.

1) ☎(800) 643 0086

Table of contents

| | |
|--|-----------|
| Skin types | 3 |
| Tanning times | 4 |
| Important safety notes | 9 |
| Safety notices | 9 |
| Instructions pertaining to a risk of fire, electric shock, or injury | 10 |
| Instructions pertaining to a risk of damage to the machine | 12 |
| Information for the studio operator | 13 |
| Meaning of symbols | 13 |
| Intended use | 15 |
| Obligations of the studio operator | 15 |
| Guidelines | 15 |
| Export | 15 |
| MP3 music (optional) | 16 |
| Environmental protection information | 17 |
| Description | |
| Equipment | 18 |
| Device description | 19 |
| | 20 |

Operation

| | |
|--|----|
| Operation overview | 23 |
| Functions | 24 |
| Start | 26 |
| Interrupt or end tanning session | 27 |
| Settings during start-up | 27 |
| Interrupt or end tanning session | 27 |
| MP3 player connection | 28 |
| Running time of accent lights | 30 |

Maintenance

| | |
|--|----|
| Safety information for maintenance and care | 31 |
| Power Off device and secure against being switched on again .. | 32 |
| Malfunctions | 33 |
| Maintenance overview | 34 |
| Cleaning | 35 |
| Cleaning and maintenance intervals | 38 |
| Relamping / maintenance instructions | 43 |
| UV high-pressure lamps: Open lamp banks | 44 |
| UV high-pressure lamps: Replace lamps and filter panes | 47 |
| UV high-pressure lamps: Close lamp banks | 51 |
| Cleaning/replacing accent lights in the sunbed base | 52 |
| Cleaning/replacing accent light in the side section | 54 |
| Cleaning/replacing ambient light | 56 |
| Cleaning or replacing filter mats | 57 |





Technical data

Connected load, power and noise level. 59
Rated power, activation and power levels of the UV lamps. 60
Installed lamps. 61
Spare parts and accessories 63
Dimensions 64
Installation location 65

Index 71

Presettings – see “Presettings”, Order No. 1003844

Troubleshooting – see “Error codes”, Order No. 800641

**Timer operation – see manual “Intellitan Remote Timer”,
Order no. 801129**

Important safety notes

Safety notices

Description of warning signs

Danger notices, damage to persons:



DANGER!

Type and source of danger, e.g. “DANGER – High voltage!”

Description of the consequences, e.g. “You can be killed or injured by an electric shock!”

Countermeasures:

- Disconnect device from power supply before opening.
- Do not reach into the inside with the device switched on.

Warning notices, damage to persons:



WARNING!

Type and source of danger, e.g. “Warning – hot surface!”

Description of the consequences, e.g. “You can burn your hand (skin, face)!”

Countermeasures:

- Do not touch hot parts and nearby surfaces.
- Wait until hot parts and surfaces have cooled down.

Caution notices, damage to property:



Caution!

The word “Caution” with this label points out that danger for devices, materials and the environment can be expected here.

Important information:



Note:

This symbol does not identify safety notices, but states information for a better understanding of the processes.



Instructions pertaining to a risk of fire, electric shock, or injury



DANGER!

DANGER – High voltage!

You can be killed or injured by an electric shock!

Assembly and electrical connection must comply with national and local regulations.

- The device may only be assembled, installed, upgraded or repaired by specially trained and instructed personnel.



WARNING!

WARNING – ultraviolet radiation!

Unprotected tanning may result in eye injury and eye diseases.

The unprotected eye can become inflamed on the surface, and in certain cases the retina can be damaged by excessive radiation. Cataracts can form after frequently repeated exposure to radiation.

- **Inform users to use the included protective goggles that block UV** (Order No. 84592-...).



WARNING!

WARNING – ultraviolet radiation! Follow instructions!

Failure to use protective eyewear may result in severe burns or other eye injury. If discomfort develops, discontinue use and consult a physician.

- A person who does not tan in the sun most likely will not tan from the use of this device. Persons with very sensitive skins (skin type I) must not use the unit, as with this skin type tanning is impossible without damaging the skin (e.g. sunburn).
- Individuals with acute sunburn, individuals who have had or have skin cancer, or individuals who are at increased risk of skin cancer, must not use the system.
- UV devices must not be used without taking medical advice if unexpected effects, such as itching, occur within 48 hours of the first session.
- The sunbed must never be used if a filter pane is missing or damaged, or the timer is defective!
- UV light from the sun or UV systems can cause injuries to the skin or eyes. This biological effect is dependent on the sensitivity of the individual's skin and on the type and amount of UV light.
- As with natural sunlight, overexposure can cause eye and skin injury, sunburn, and allergic reactions.



WARNING!

- Repeated exposure may cause premature aging of the skin and skin cancer.
- Medications or cosmetics applied to the skin, may increase sensitivity to ultraviolet light.
- A person having a history of skin problems should consult a physician before use.



WARNING!

WARNING – ultraviolet radiation!

Danger of long-term consequences.

- Overexposure should be avoided.
- The elderly should not use this equipment.
- Nursing infants and small children through age 7 years may not use this device.
- The following applies to minors under the age of 18 years: Only use tanning devices in agreement with a parent or guardian, or after consulting a physician.
- While there is no immediate clinical evidence of UVA exposure and its effects upon expectant mothers, it is strongly advised that expectant mothers be discouraged from using the tanning unit.



WARNING!

WARNING – risk of infection!

Infections can be transferred through skin contact.

All items/equipment components, with which the user can come into contact during tanning, must be disinfected after every tanning session:

- Protective goggles
- Sunbed acrylic
- Handles and control panel
- MP3 cable

For fast, hygienic proper cleaning, use a specially developed fast disinfectant cleaner.



Note:

To ensure thorough disinfection, always adhere to the reaction time specified for the disinfectant.

Follow the manufacturer's instructions for use.





Note:

Occasionally, persons using the tanning device will experience a slight reddening of the skin – usually in small patches – after the second or third session. This redness is often accompanied by an itching sensation. This may be nothing more than a heat “rash” caused by heat from the lamps within the device. It is generally very limited and caused by constant contact of the skin with the acrylic surface. It should go away within approximately 24 hours and should not reappear. This rashing can be lessened or prevented by applying moisturizer lotion to the affected area after the tanning session is completed.

- Follow instructions.
- The time between the first two tanning sessions must be at least 24 hours.
- Increasing tanning also requires an extension of the exposure time (= radiation time) or after a certain degree of tanning has been achieved, a further intensification is not possible. However, the radiation time may not be extended as desired within the scope of the permissible radiation doses! Therefore, only a certain degree of final tanning dependent on the skin type can be achieved without endangering your health.
- Inform users about proper tanning.

Instructions pertaining to a risk of damage to the machine




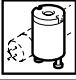







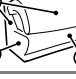


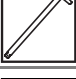

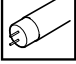
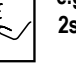
CAUTION – danger of overheating!

Danger of overheating by obstruction of the air routing.

- Do not change, obstruct or block the air inflow and outflow area to the device or make any unauthorized changes to the device. The manufacturer shall bear no liability for damage or injuries resulting from such actions.
- Before putting a tanning device into operation, the transport pallet must be removed from under the device. Danger of overheating by obstruction of the air routing.

Information for the studio operator











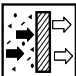
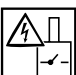

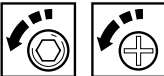
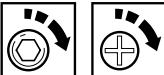
Meaning of symbols

| | | | |
|---|----------------------------------|--|----------------------------------|
|  | Contact Customer Service |  | Starter for low-pressure lamp(s) |
|  | Manufacturer |  | UV high-pressure lamp(s) |
|  | Part/article number (for orders) |  | Filter panes |
|  | Soltron key |  | Cleaning and disinfectant agents |
|  | Do not touch, hot surface! |  | Description |
|  | Suction cup |  | Accent lights |
|  | Holder for acrylic glass panels |  | Press button |
|  | Low-pressure lamp(s) |  e.g. 2s | Press button for 2 seconds |



Information for the studio operator



| | | | |
|---|---|---|--|
|  | Duration: 3 minutes |  | Two people are required for this work step |
|  | Loudspeaker |  | Cleaning |
|  | Headphone connection |  | Replacing |
|  | End of work step |  | Clean or replace depending on soiling |
| ... | Continuation of work steps on next page |  | Visual inspection |
|  | see separate manual |  | Filter/filter mat |
|  | Caution, safety switch! |  | Filter and filter mats must not be damp. |
|  | Unscrew/release screw | | |
|  | Tighten/lock screw | | |

Intended use

The tanning device is intended exclusively for cosmetic tanning of the human skin.

- The device is meant for commercial use only, not for home use.
- This device is used for tanning one adult person at a time.
- The user wears suitable eye protection that blocks UV radiation during tanning.

Any other use shall be considered improper. The manufacturer cannot be held liable for damage or injuries resulting from this. The operator bears the sole risk for this.

The proper use also includes compliance with the manufacturer's instructions, operating and maintenance conditions. This device may only be operated, maintained and repaired by persons familiar with these tasks and who have been informed of the dangers involved.

Obligations of the studio operator

- As the operator you are responsible for informing users on possible risks during tanning.
- All danger and safety labels attached to the device must be observed! Do not remove them!
- No safety equipment (e.g. panel switch) may be removed or deactivated which can impair the safe operation of the device!
- The device may only be operated in a serviceable condition!
- The operator is bound to ensure that the equipment is handled correctly.

Guidelines

This device was built conforming to UL STD 482, and is certified to CAN/CSA STD C22.2 2 No. 224.

Export

We would like to point out that these devices are exclusively intended for use in the USA and Canada and may not be exported to other countries and operated there! The manufacturer assumes no liability whatsoever in the event of non-compliance! We explicitly emphasize that high liability risks may occur for the exporter and/or the operator in the event of non-compliance.



MP3 music (optional)

The personal use of an MP3 player during tanning is not a public broadcast in copyright terms, so that there is no obligation for registration or payment by the studio owner to the corresponding copyright owning company in respect of copyright exists on the part of the studio operator.

The same regulations apply for the official use of MP3 music files as for other music sources: As studio owner you are only allowed to use original audio CDs, MCs, audio DVDs etc. in your premises and / or play them in the MP3 music module fitted to the Soltron professional sunbed if you have already obtained the corresponding performing rights.¹⁾

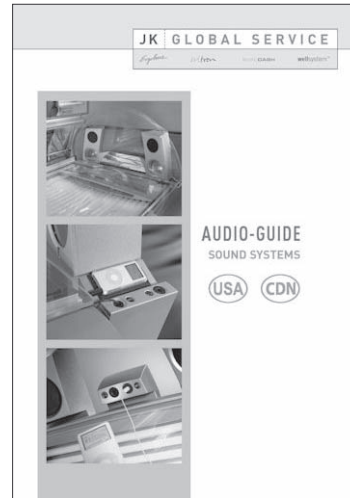
Copy-protected audio CDs, MCs, audio DVDs etc., as well as the tracks included on these media, are not allowed to be converted to MP3 format and / or stored on hard discs, audio CDs, MCs, audio DVDs etc. when software and / or computer programs are used for this purpose which cancel or avoid the copy-protection included on the storage media.

At the request of the external staff or any other controlling body of the responsible company, you must always be in a position to prove that you have purchased the performance rights by showing the relevant authorisation.

As long you follow the advice given above and have gained of the necessary rights, you may convert your original audio CDs, MCs, audio DVDs etc. to the MP3 format required for the player. However, you may only create one copy (either a duplicate or a conversion to MP3 format)

1) from the company responsible for the allocation of commercial performing rights in your country (in Germany: GEMA/GVL)

for each audio CD, MC, audio DVD etc. for which you have obtained the legal rights. The original sound storage medium must be stored and is not allowed to be used at the same time.



1006019

11604 / 0



Note:

Further information you can find in the Audio Guide, which is available for download at www.jkamerica.com.

Product information acrylic glass panels

The acrylic glass panels for the tanning devices are produced of acrylic glass developed especially for this application. The acrylics used are characterized by a particularly high UV permeability and resistance, as well as an easy-care, hygienic surface that is gentle to the skin.

The acrylic glass panels are formed to their shapes for the specific devices in a technically complex production process. Despite state-of-the-art production know-how, the presence of minor spots, air bubbles or streaks in the acrylic panels is unavoidable. In addition, microfine hairline cracks can occur on the bed surface during operation.

These occurrences are material-dependent and are unavoidable in processing, however have no significant effect on the use or value and can therefore not be recognized as defects.



CAUTION!

Cosmetics or sun screen products must be removed prior to using the sunbed as they can cause damage (e.g. fine cracks on the surface) when used continuously.

Environmental protection information

Environmental Declaration – The JK Corporate Group

The JK corporate group is subject to the strict regulations of EC Directive 761/2001 and the ISO 14001 standard, and undergoes regular internal and external environment audits performed by trained auditors.

Environmental regulations – disposal of lamps

UV low-pressure lamps and UV high-pressure lamps contain fluorescent materials and other waste containing mercury.

According to the national waste disposal laws and in accordance with the municipal waste regulations, proof must be provided of the proper disposal of UV lamps.

Your local environmental agency will be happy to assist you with the disposal of UV lamps.

Packaging

All packaging consists of 100 % recyclable materials.

Disposal of recyclable materials

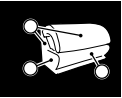
The device has been produced of recyclable materials. When being scrapped later, the device must be disposed of properly. Soltron will provide you with information on the content or potential hazards of the materials used.



Equipment

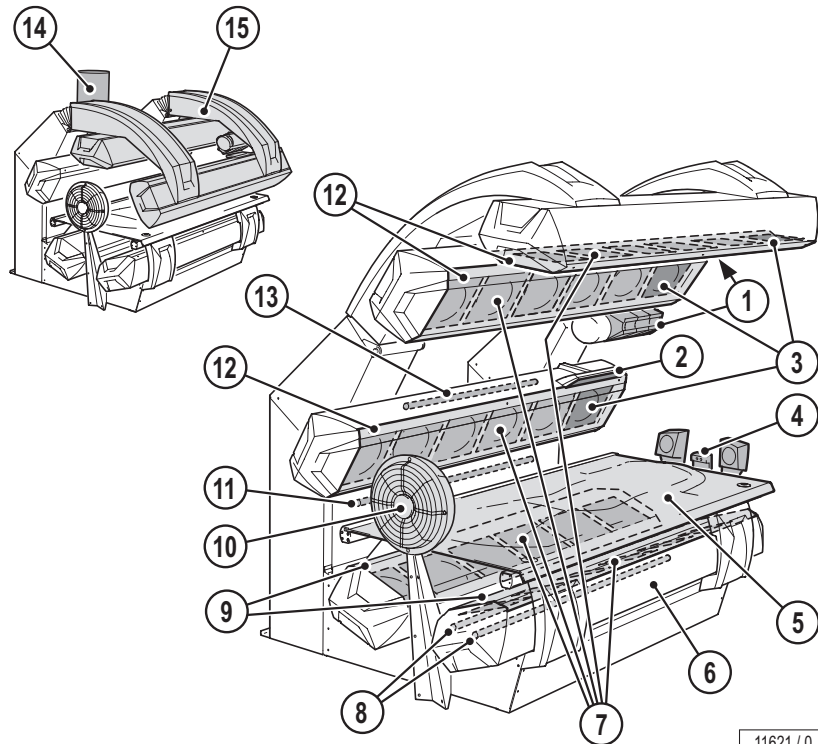
This instruction manual covers all standard and optional components/ functions to be taken into consideration during operation and/or maintenance.

The control panel also differs according to the various equipment: the only visible buttons are those that can be operated, i.e. the corresponding function must be part of the device's equipment.



Device description

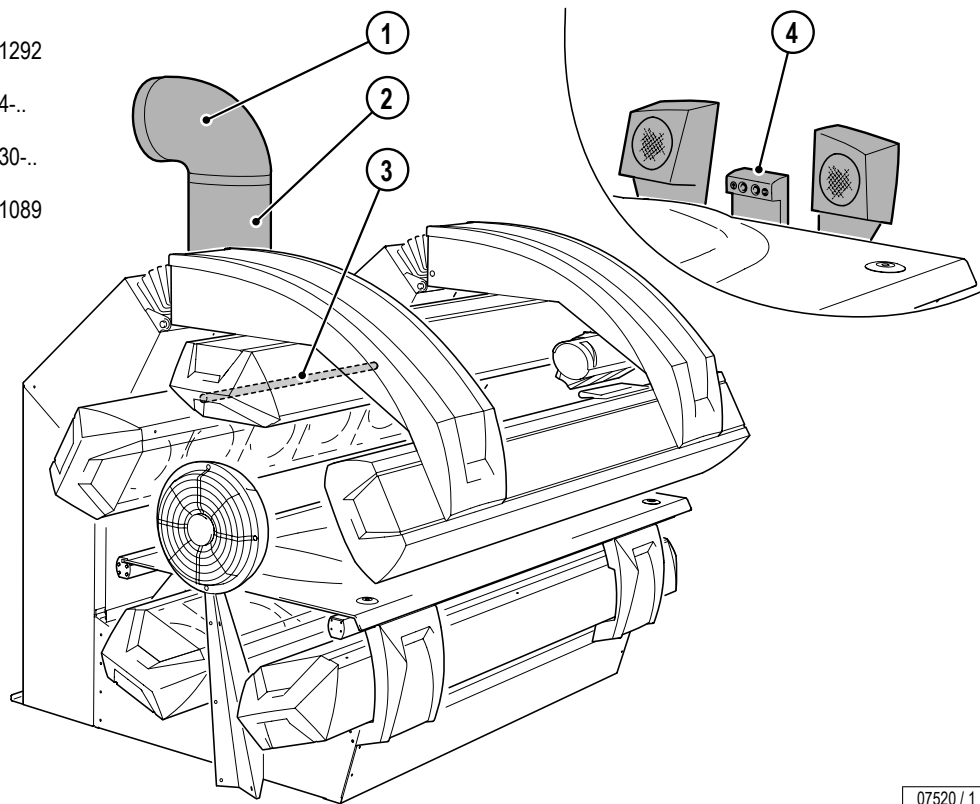
1. Air nozzle (surround cooling, head end)
2. Operating elements
3. Face tanner (UV high-pressure lamps)
4. 3D-Sound unit (optional)
5. Acrylic glass panel lower part
6. Front panel with air inlet
7. Body tanners (UV high-pressure lamps)
8. Accent lights, lower part
9. Acrylic glass coverings, lower part
10. Fan (surround cooling, feet end)
11. Accent light, side part
12. Acrylic glass covering, canopy
13. Ambient light
14. Central exhaust bracket
15. Canopy



11621 / 0

Accessories

- ① 90° pipe bend 100001292
- ② Exhaust air pipe 703624-..
- ③ Ambient light 1500830-..
- ④ 3D-Sound unit 100001089



07520 / 1

Operation

Mandatory reading

Always read and follow all instructions for proper usage prior to allow anybody using a tanning device. The operating instructions included with this device must always be followed to prevent possible injuries or to reduce them to a minimum.

Inform users

- to use provided UV-blocking protective eyewear whenever the equipment is energized.
- to follow the exposure schedule in accordance with their skin type. Failure to do so may result in overexposure.

A tanning system is not a toy. You cannot vary the strength of the lamps in your unit.

Should you have any questions regarding the proper use of your tanning system, contact Global Service USA at:

☎ (800) 445-0624

7:00 a.m. to 7:00 p.m. (CT)



WARNING!

Warning – ultraviolet radiation!

Danger of skin injuries and skin diseases!

- The sunbed must never be used when a filter pane is missing or damaged, or the timer is defective!



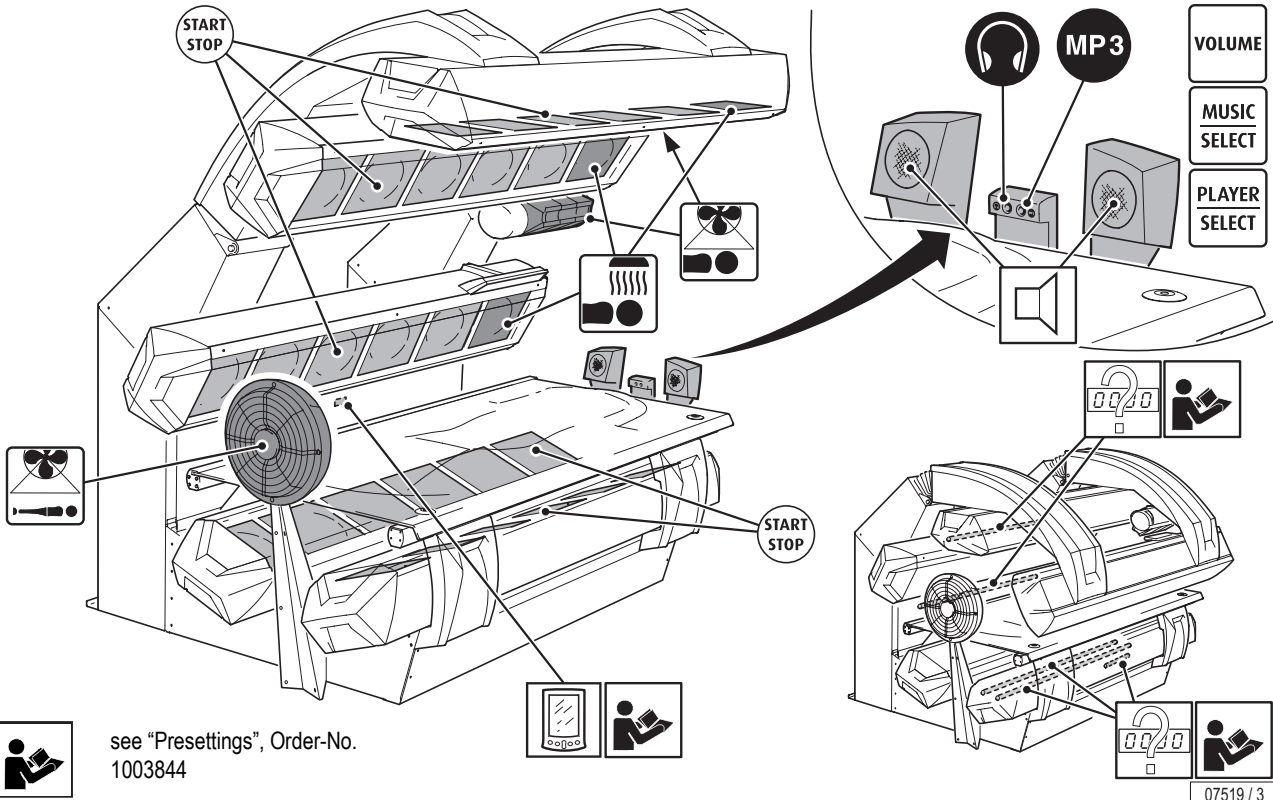
Note:

When describing the operation, the tanning device is often shown with the canopy open. During tanning the canopy must always be closed.

Proper operation is not possible with the canopy open.

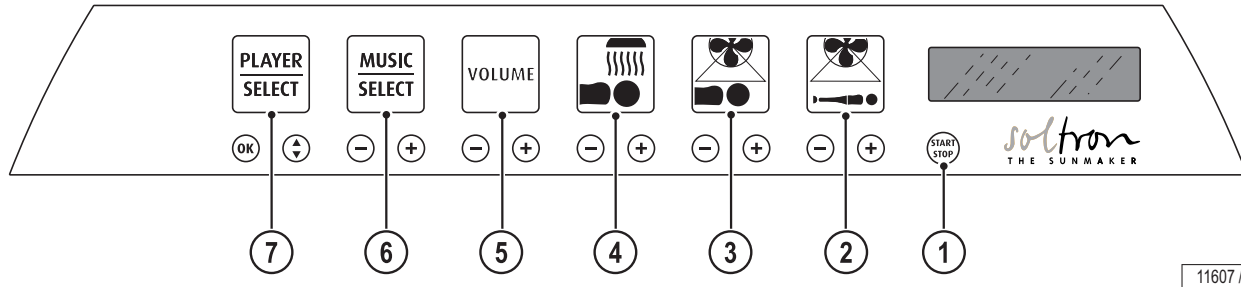


Overview



07519 / 3

Operation overview














11607 / 0

- ① Start / Stop button
- ② Regulating body cooling
- ③ Regulating face cooling
- ④ Regulating facial tanners
- ⑤ Regulating volume
- ⑥ Selecting channel
- ⑦ Selecting music source













...

Functions

| Function | Button sequence | Description |  |
|-------------------------|---|---|--|
| ① UV low-pressure lamps |  | <p>Start / Stop:</p> <p>To interrupt a tanning session, press button START/STOP anytime during a session. Press START/STOP again to restart the lamps.</p> | The session time continues to run if the UV lamps are switched off during the tanning session. |
| ② Body cooling |    | <p>Adjusting speed of surround cooling body ventilator:</p> <p>Press the plus or minus button to change the intensity of the air stream.</p> | |
| ③ Face cooling |    | <p>Adjusting speed of surround cooling head nozzles:</p> <p>Press the plus or minus button to change the intensity of the air stream.</p> | |
| ④ Facial tanners |    | <p>Adjusting the intensity:</p> <p>Press the plus or minus button to adjust the intensity of the facial tanners.</p> | |

...

| Function | Button sequence | Description |  |
|-------------------------------------|---|---|---|
| ⑤ Volume |    | <p>Adjusting volume:</p> <p>Press the plus or minus button to change the volume.</p> | |
| ⑥ Music Select |    | <p>Selecting channel:</p> <p>Press the plus or minus button to change the volume</p> | |
| ⑦ Player Select |    | <p>Selecting the music source:</p> <p>Press the next and OK button and select:</p> <ul style="list-style-type: none"> - A for own music - MP3 player in MP3 input - B for music selection - MP3s from internal memory card - C for studio channels - external music source in the studio | <p>Only connected or inserted music sources are shown.</p> |
| Accent lighting running time | | Refer to "Presettings", Order-No. 1003844 | |



Start

Start of tanning

The device is started automatically with an internal or external timer.



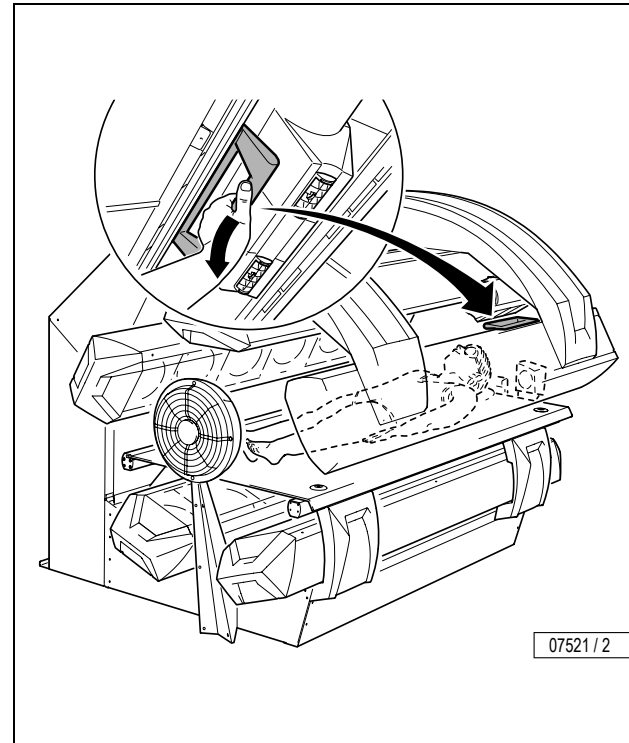
Note:

Timer instructions: see separate manual¹⁾.

Preparation time

Before the UV lamps turn on, you have a few minutes to prepare yourself. During the preparation time you can switch on the UV lamps at any time by pressing the START/STOP button.

- Remove your clothes and all jewelry.
- Remove make-up and other cosmetics.
- Remove glasses. Contact lenses can be worn under the protective goggles.
- Put on the protective goggles.
- Lie down on the bed surface.
- Close the canopy.
- Press the START/STOP button.



1) Order no 801129-...

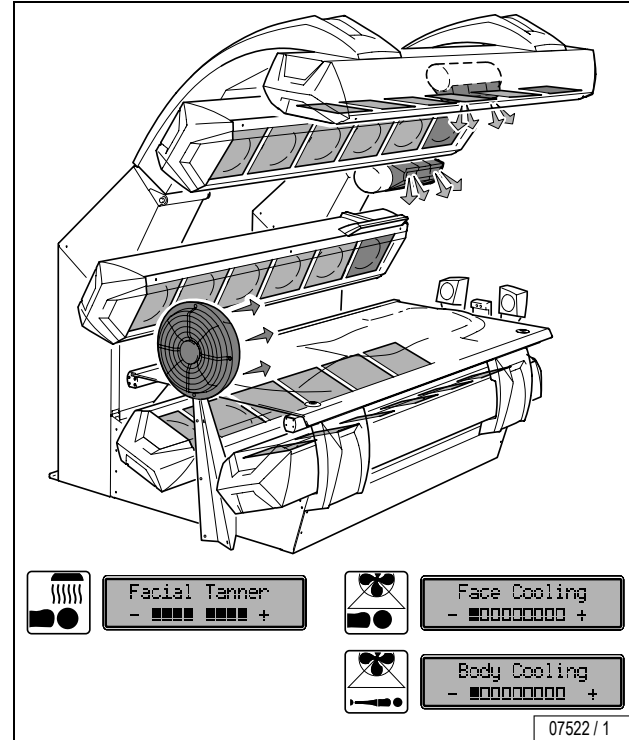


Interrupt or end tanning session

The tanning session ends automatically after the preset time has run down. The internal fan continues to run for approx. three (3) minutes to sufficiently cool the device.

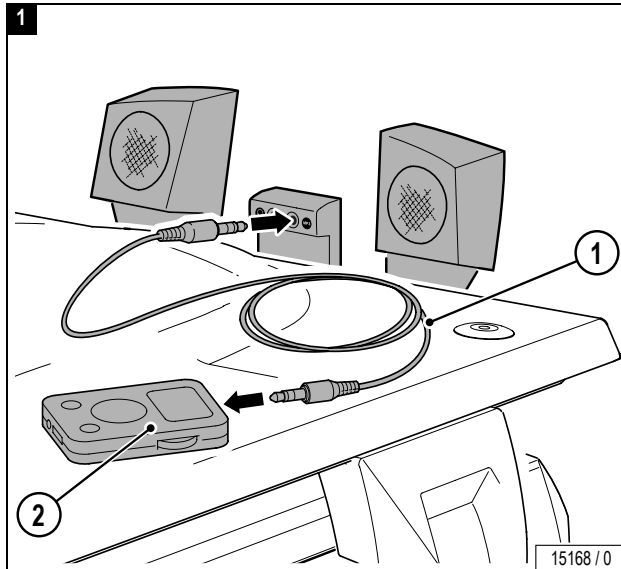
- To interrupt a tanning session, press button START/STOP anytime during a session.
- Press START/STOP again to restart the lamps.

Settings during start-up



MP3 player connection

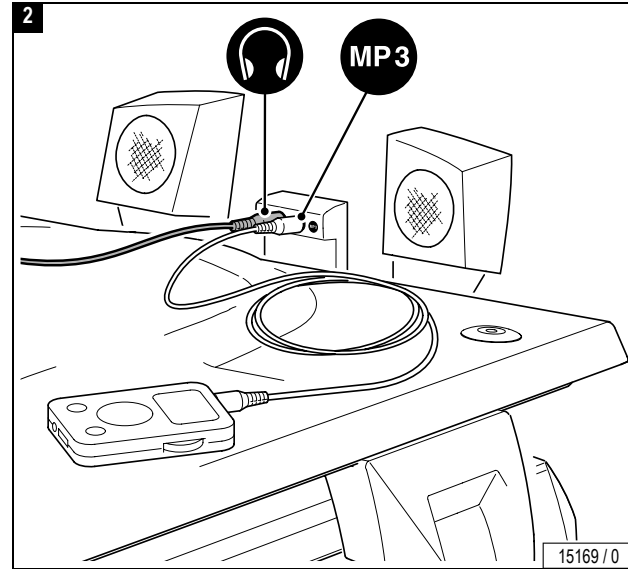
Studio customers can connect their own MP3 player to the device when the "Audio System" accessory is available.



1. Order-No. 1001855-.. - Provided for use by the studio operator (1.5 m / 2 x 3.5 mm stereo jack plug).
2. MP3 player connection: Refer to the manufacturer's documentation.

Loud music might disturb other studio users!

- Use head-phones whenever necessary.



...



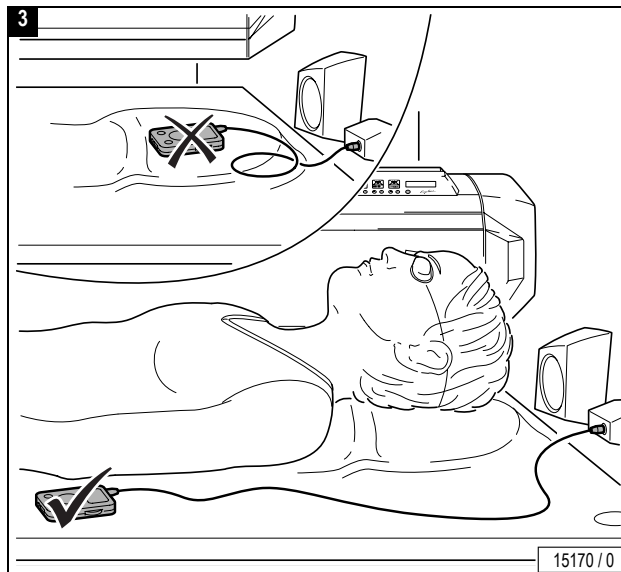
Caution!

The heat might damage your MP3 player.

- Do not position the unit so that it receives direct tanning radiation.

The cable might tear; sockets might be damaged!

- Do not pull the cable when unplugging the MP3 player.

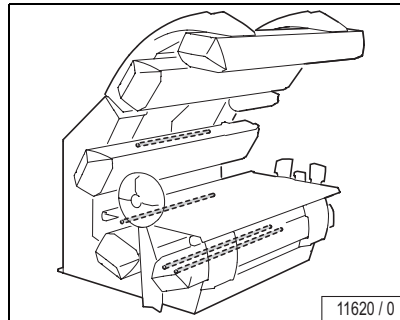
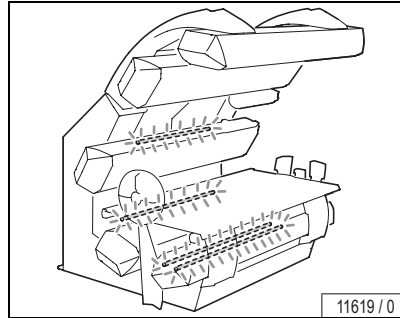


Running time of accent lights

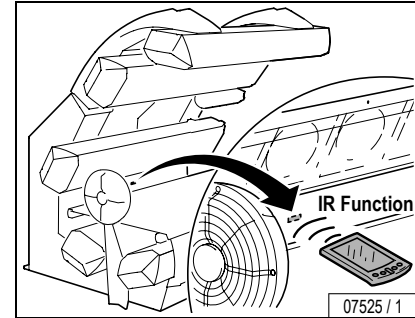
The accent lights are automatically switched on at the end of the tanning session after the set operating time and are switched off again at the beginning of the next tanning session.

The running time of the accent lights in the Standby mode can be changed with the presettings – see “Presettings”, Order-No. 1003844.

Stand-by



IR Function



Safety information for maintenance and care



Extreme danger! High voltage!

During maintenance work there is a risk of touching live parts and receiving a fatal electric shock.

- Disconnect device from power supply before opening – also see Page 32.
- Do not reach behind covers and do not open the device with the device switched on.
- Refit any safety devices (e.g. switches) after the work has been completed.

Maintenance and care play a major role in deciding whether the device meets the requirements placed on it in a satisfactory manner. The compliance with the specified maintenance intervals and the careful conducting of the maintenance and care work are therefore absolutely necessary – see Page 38.

The current operating hours of the parts requiring maintenance can be displayed in the Presetting mode – see separate instructions “Presettings”, Order no. 1001971.



Danger of burns!

Only use the specified **genuine UV lamps and filter panes!**

Using other UV lamps leads to modified radiation. This could potentially result in severe burns to the user!

The use of other UV lamps and filter panes invalidates **CE conformity** and the **GS approval mark!**



CAUTION!

Only use **genuine** spare parts of the same type!

The use of other parts may limit or void your manufacturer's warranty!

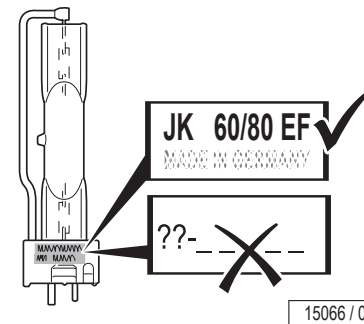
Any liability is excluded in case of damage or injury proven to be the result of the use of non-genuine spare parts.



Fire hazard!

High-pressure lamps that have not been approved by Soltron can explode. Hot lamp components can set other components on fire. People can be killed or severely injured due to smoke inhalation and fire.

- Only fit high-pressure lamps recommended by Soltron.
- Clean the inside of the tanning device regularly. Dust-particles are combustible!



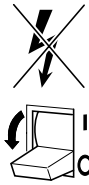
...

Power Off device and secure against being switched on again



Extreme danger!

If work is to be performed on the devices, they must be powered off. That means that all live lines must be switched off. Switching off the device alone is insufficient, as certain points may remain energized. Therefore, switch off and lockout circuit breakers before performing any work.



04049 / 0

A prohibition sign with the text: "Work in progress!"

- "Place:"
- "Sign may only be removed by:" must always be securely mounted immediately.



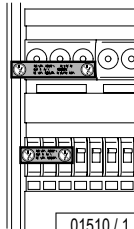
01511 / 1



Extreme danger!

Severe accidents can occur if the device is mistakenly switched on again. Immediately after powering off, secure all switches or fuses used for power against being switched on again.

- A strip of adhesive tape with the wording "DANGER do not switch ON!" may be applied over the actuation levers of circuit breakers which cannot be removed.



01510 / 1

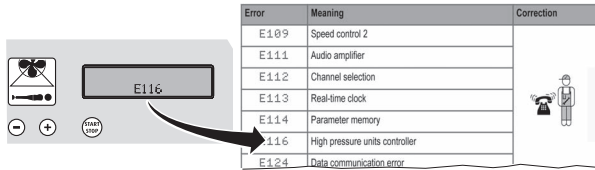


Extreme danger!

Prohibition signs must not be hung on or touch live parts.

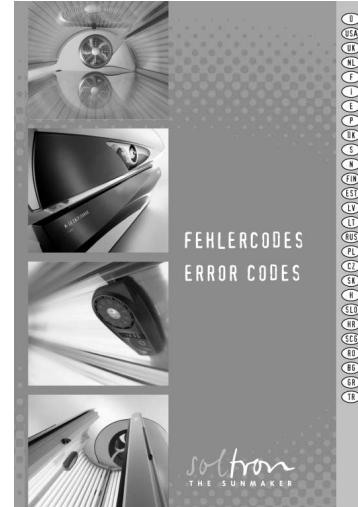
Malfunctions

The display shows error codes¹⁾ to make it easier to localize the cause of the problem.



11611 / 0

- If a malfunction occurs, the error code flashes in the display.
- If several malfunctions occur, the error messages are displayed alternately.
- The fault remedy is acknowledged by holding down the **START/STOP** button.
- If the problem cannot be remedied, inform Customer Service – see Page 2.



800641

10443 / 0

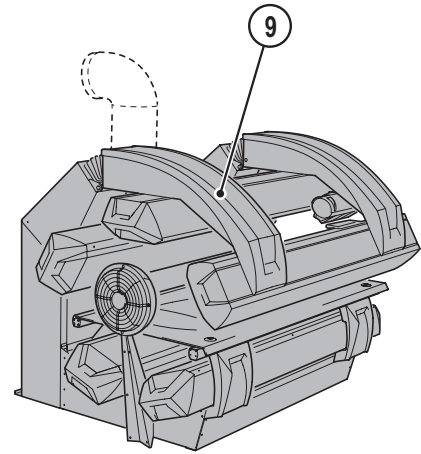
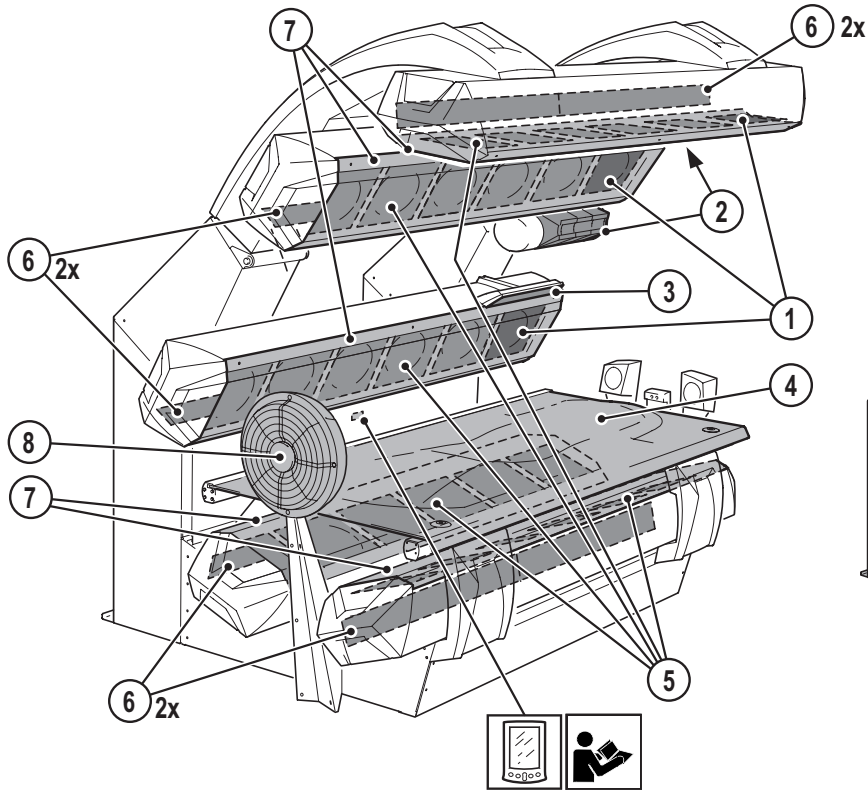


1) See separate instructions "Error Codes", Order no. 800641

Maintenance overview



see separate instructions "Presettings", Order no. 1003844



07538 / 3



Cleaning



WARNING!

WARNING – risk of infection!

Infections can be transferred through skin contact.

All items/equipment components, with which the user can come into contact during tanning, must be disinfected after every tanning session:

- Protective goggles
- Sunbed acrylic
- Handles and control panel
- MP3 cable

For fast, hygienic proper cleaning, use a specially developed fast disinfectant cleaner.

Acrylic glass surfaces



CAUTION!

Do not rub with a dry cloth – danger of scratching!

For fast, hygienic proper cleaning of acrylic glass surfaces, use a specially developed fast disinfectant cleaner.

Other cleaning agents, especially concentrated disinfectants or solvents (e.g. Lysoform, ethyl alcohol or other liquids containing alcohol) must never be used for cleaning.

Failure to observe this voids all warranty claims.



...

Plastic surfaces

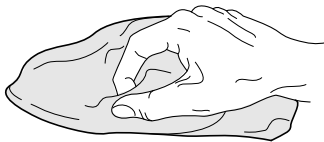
For cleaning the other plastic surfaces, it is best to use warm water and a leather cloth. Never use aggressive cleaning agents containing alcohol or essential oils. These may lead, in the long run, to damage not covered by the warranty.

During cleaning, a slight discoloration of the leather cloth by the rubber seals must be expected for production-related reasons.



Note:

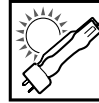
Prevent damage to plastic surfaces. Remove rings, watches, bracelets etc. before the start of cleaning work.



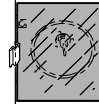
02756 / 0

Cleaning filter panes and lamps

The UV high-pressure lamps fitted are broadband radiators which can be operated at different outputs (approx. 240-520 W).



UV high pressure lamps: Clean jackets with methylated spirits if necessary.



Filter panes: Clean with water only (damp cloth)



Maintenance

Acrylic covers

The acrylic covers for the sunbeds are produced of acrylic glass developed especially for this application. The acrylics used are characterized by a particularly high UV permeability and resistance, as well as an easy-care, hygienic surface that is gentle to the skin.

The acrylic covers are formed to sunbed-specific shapes in a technically complex production process. Despite state-of-the-art production know-how, the presence of minor spots, air bubbles or streaks in the acrylic panels is unavoidable. In addition, hairline cracks can occur on the acrylic glass panel during operation.

These occurrences are material-dependent and are unavoidable in processing, however have no significant effect on the utility value and can therefore not be recognized as defects.



Caution!

Cosmetics or sun screen products must be removed prior to tanning as they can cause damage (e.g. fine cracks on the surface) when used continuously.

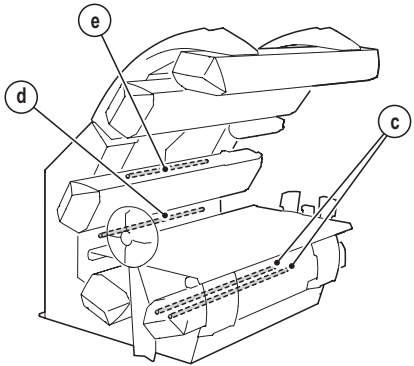
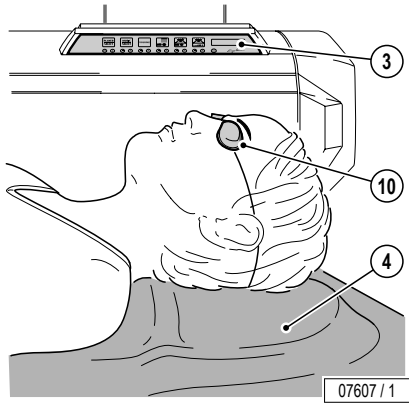


Cleaning and maintenance intervals

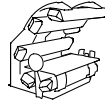
| | | | | |
|---|---|--|---------------------------------|----|
| <p>07607 / 1</p> | After each tanning | | | |
| | | Note: Clean after every use. | | |
| | ③ | | | 35 |
| | WARNING – risk of eye irritation! Protective goggles may only be cleaned with an approved disinfectant. | | | |
| | ⑩ | | Schmerler 2255 Soltron 84592 | 35 |
| ④ | | | 35 | |
| ⑳ | | | 35 | |
| Confirm cleaning by pressing the START/STOP button (when the follow-up time of the fan in the device has finished). | | | ... | |



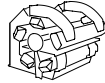
Cleaning and maintenance intervals



① - ⑧



⑨



Note:
Clean if necessary!

c) 2x



52, 62

d) 1 x



Note:
Clean or replace
if necessary!

54, 62

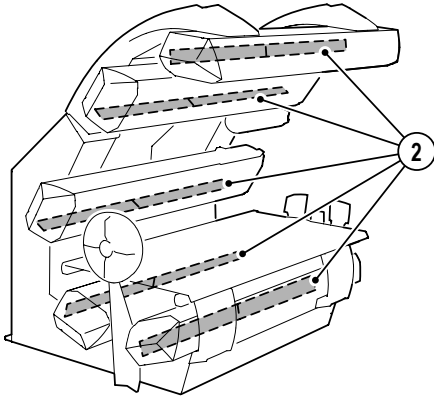
e) 1 x




56, 62




...



50 h

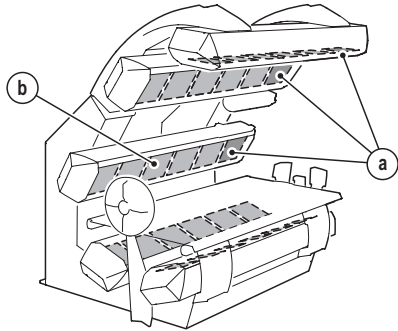
② 10 x 

 57

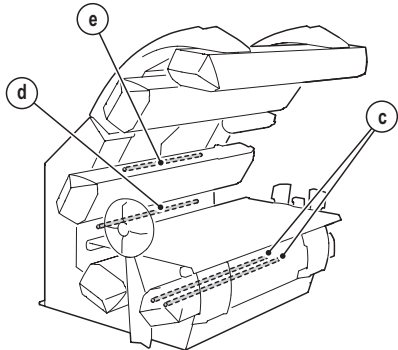
07592 / 0

...





11617 / 0



11618 / 0

500 h



a) 3 x



47

b) 27 x



47

1000 h



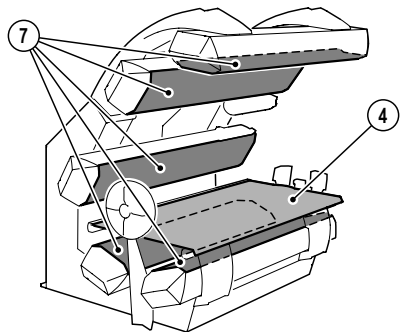
c)-e) 4 x



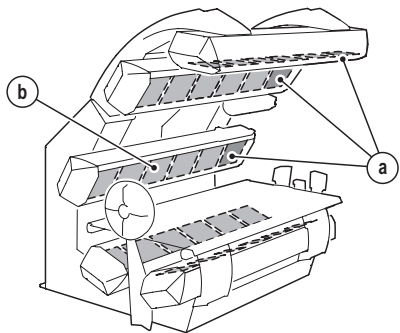
52, 54,
56, 62



...



07544 / 0



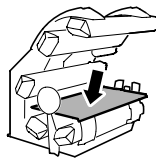
11617 / 0



1500 h



④ 1 x

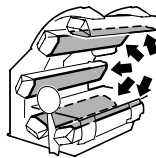


☎ 63

3000 h



5 x



☎ 63

a) 3 x



☎ 47, 61

b) 27 x



☎ 47, 61



Relamping / maintenance instructions

It is imperative that you, the owner and/or operator, check all components for any signs of wear which may occur through normal use.

Observe the cleaning and maintenance schedule specified in the maintenance table on Page 38 to 42.

Only replace UV low-pressure lamps with the original lamp type or with compatible lamps.

Only replace UV high-pressure lamps with the original lamp type or with compatible lamps.

Should you require any assistance or need additional information, please call Global Service USA at 800 445 0624, Monday through Friday 7:00 a.m. - 7:00 p.m. CT, Saturday 8:00 a.m. to 3:00 p.m.



CAUTION – Damage due to improper maintenance!

Improper maintenance can cause the device to be damaged or to become unusable.

- Always comply with the specified maintenance intervals.
- Follow the cleaning instructions.
- If the maintenance intervals for the UV lamps are exceeded or incompatible UV lamps are installed, the share of harmful UVB radiation may increase. Sunburn and other skin damage may result.



WARNING!

Danger of burns from hot lamps and device parts!

WARNING! If the tanning device was operated before being switched off and opened, lamps and housing parts may be hot.



- Before replacing lamps or other spare parts, wait until lamps and metal parts of the device have cooled down sufficiently.

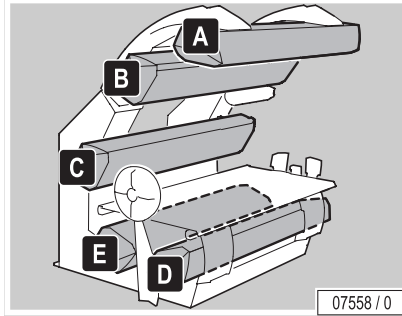
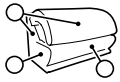


Danger of pinching!

When opening and closing the tray, panels and covers, you can pinch your fingers.



UV high-pressure lamps: Open lamp banks



Note:

The UV high-pressure lamps and filter panes of lamp banks A-E are cleaned and exchanged in a similar manner.



Caution!

Never open several banks simultaneously, because this can result in damage to the acrylic glass panels.



Danger of injury from the acrylic glass panel!

The acrylic glass panel is heavy and falls down by itself after unscrewing the 3 screws.

WARNING!

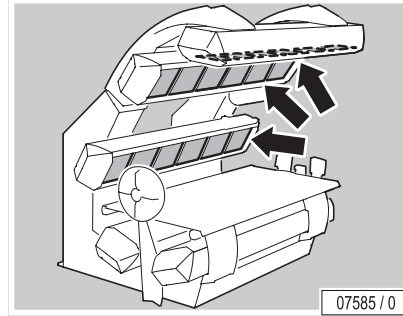
- Support acrylic glass panel.
- Loosen screws in the specified order.



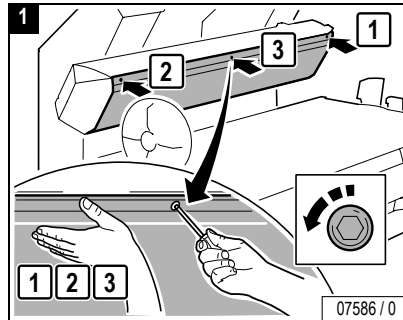
Caution!

Acrylic glass panel may break if allowed to fall or if pressure is exerted on the reverse side of an open acrylic glass panel. Such failure is not covered by manufacturer's warranty.

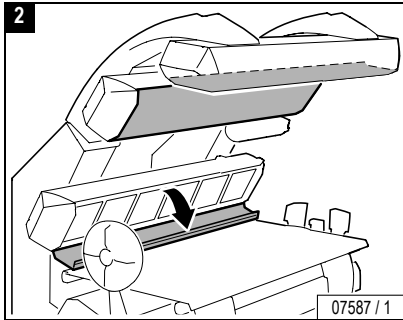
Open: lamp banks A, B, C



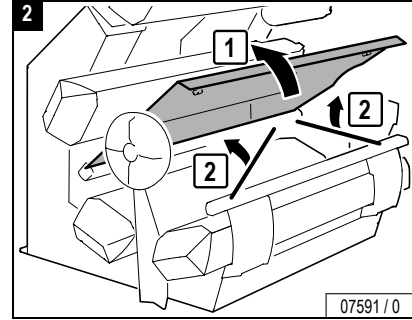
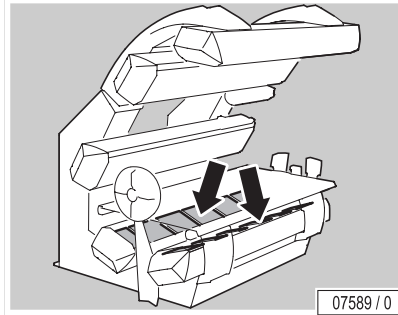
Power Off!



...



Open: lamp banks D, E

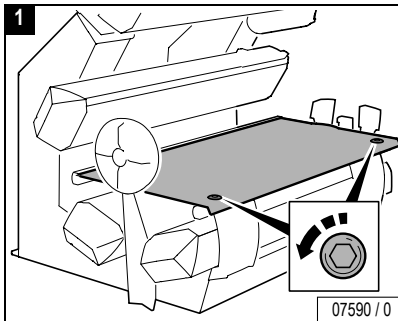


Note:

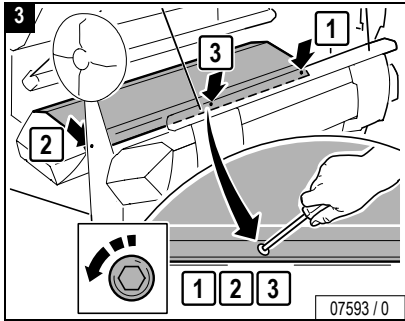
Use the holder to fixate the acrylic glass panels, Order No. 1501451-..., see page 47.



Power Off!

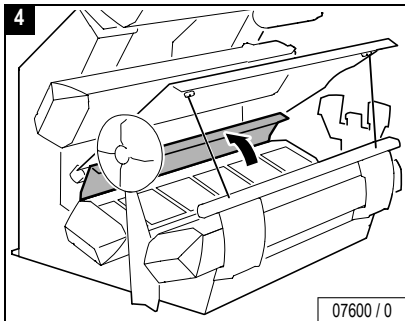


...

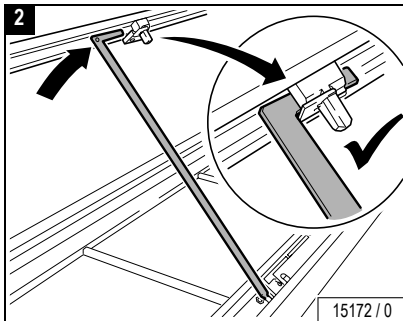
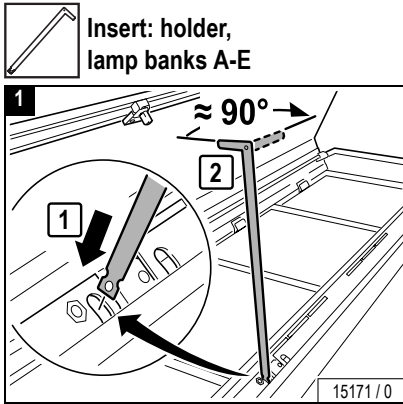


Note:

Use the holder to fixate the acrylic glass panels, Order No. 1501451-..

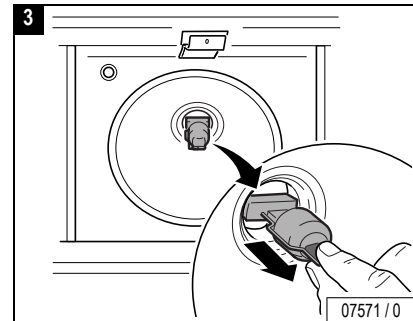
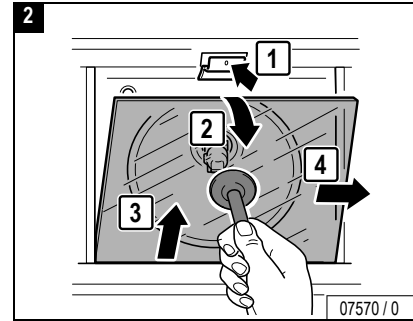
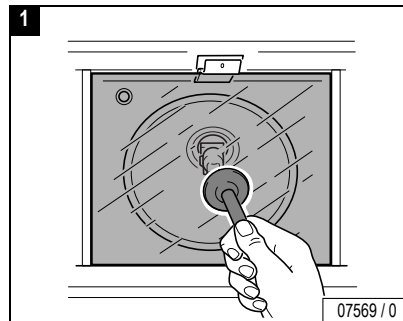


UV high-pressure lamps: Replace lamps and filter panes

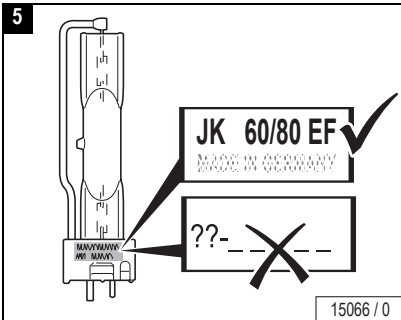
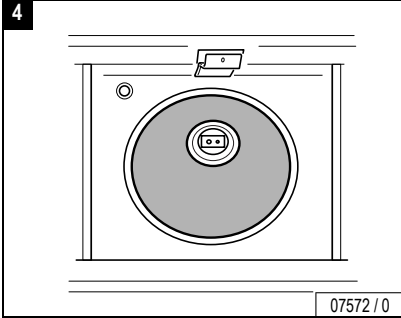


Replace: UV high-pressure lamps, filter panes, lamp banks A-E

i Note:
The mounting bracket for the filter pane can be located above or below.



...



DANGER!

DANGER! Fire hazard!

High pressure lamps that have not been approved by Soltron can explode. Hot lamp components can set other parts on fire. People can be killed or severely injured due to smoke and fume inhalation.

- Only fit high pressure lamps recommended by Soltron.
- Clean the inside of the device regularly. Foreign materials could be flammable!

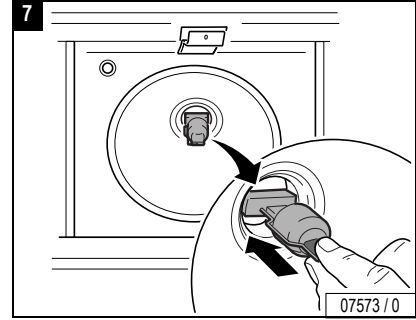
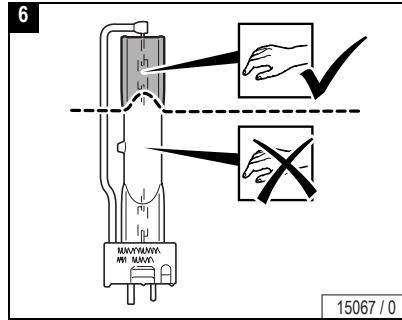


CAUTION!

Do not touch the glass bulbs of the UV high-pressure lamps with your bare fingers! Remove soiling thoroughly.

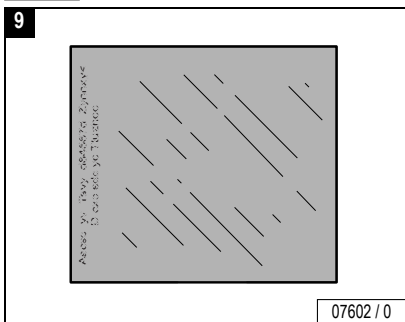
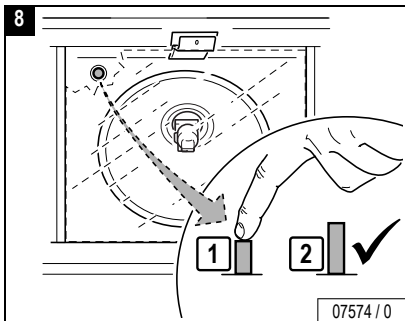


- Only touch new UV high-pressure lamp on the gripping surface – see Figures 6 and 7.





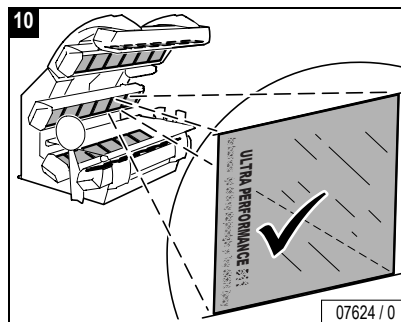
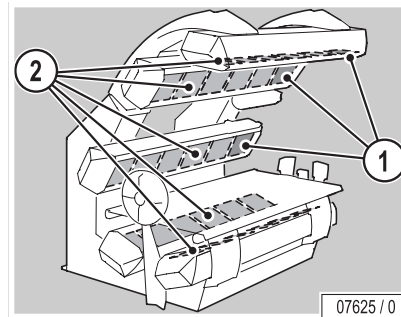
– Check safety switch.



CAUTION!

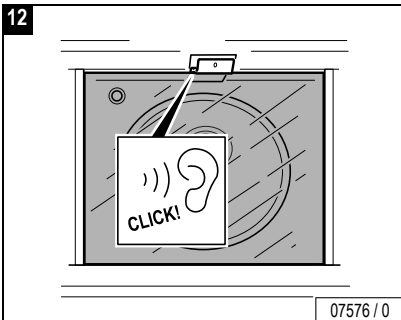
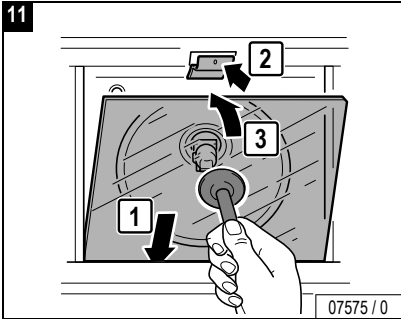
Do not interchange filter panes.
The facial tanners and the body tanners are equipped with different filter panes.

- 1 Facial tanner:
Ultra Performance 512 (blue),
Order No. 1500980-..
- 2 Body tanner:
Ultra Performance 511,
Order No. 1001069-..

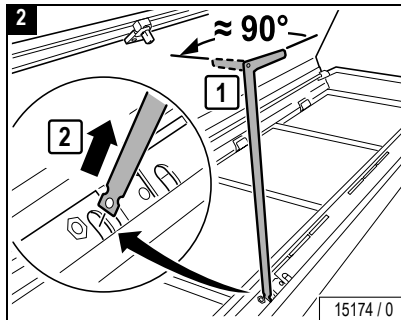
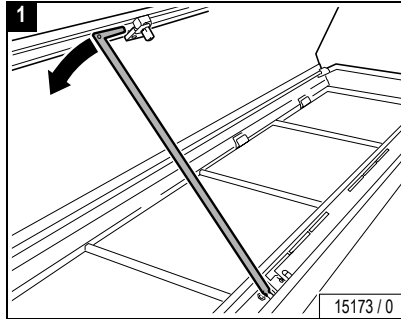


...

UV high-pressure lamps: Replace lamps and filter panes

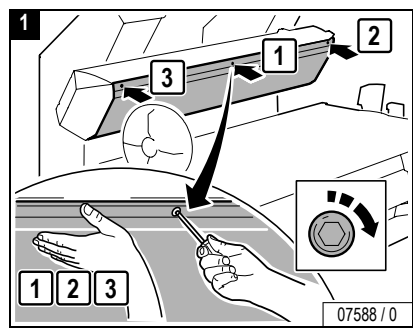


Remove: holder,
lamp banks A-E

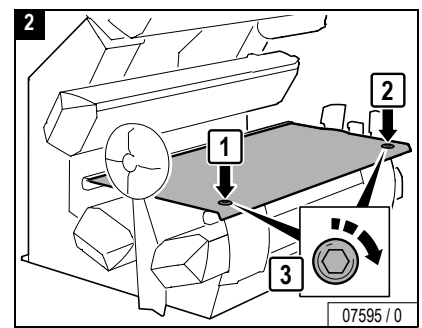


UV high-pressure lamps: Close lamp banks

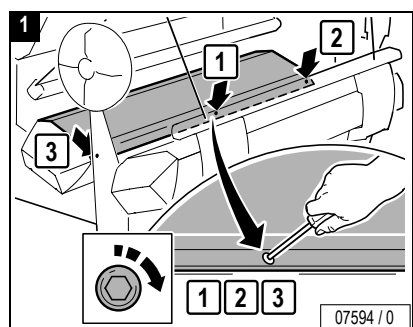
Close: lamp banks A, B, C



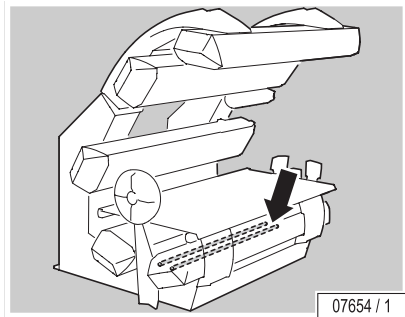
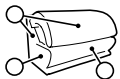
Close:



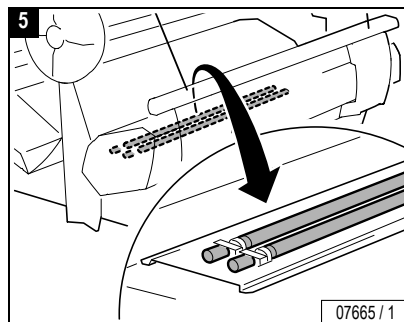
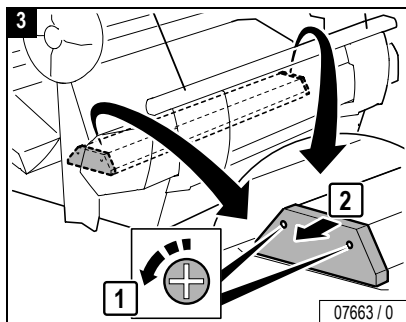
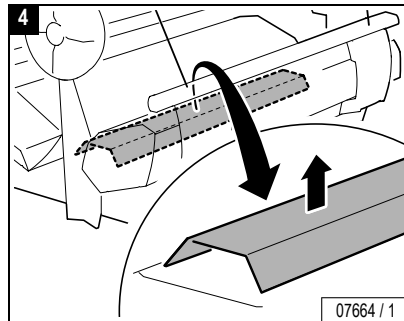
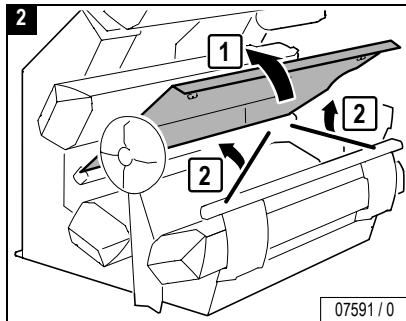
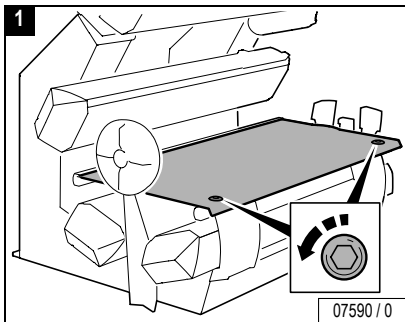
Close: lamp banks D, E



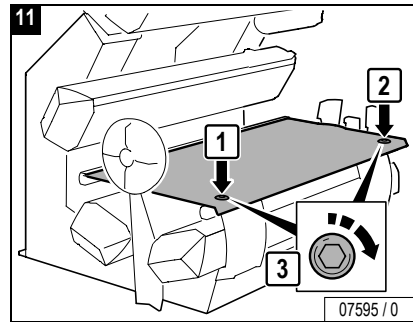
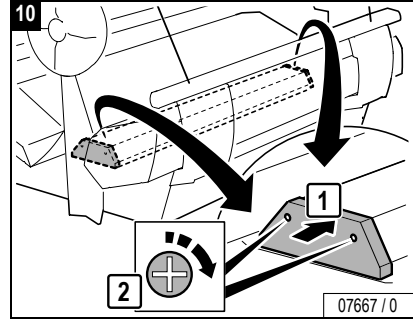
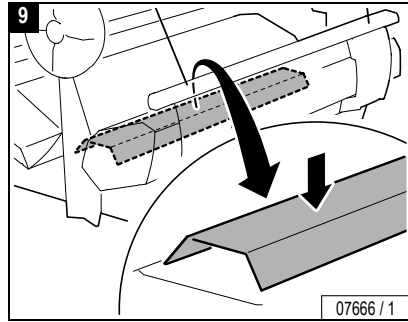
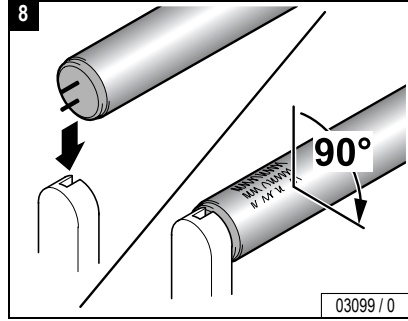
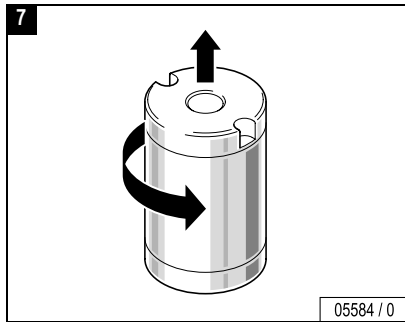
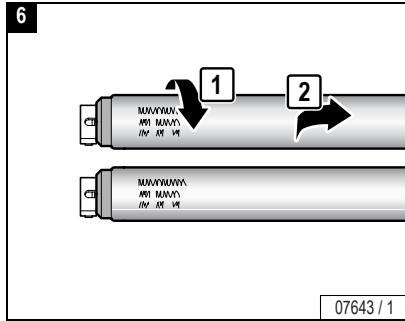
Cleaning/replacing accent lights in the sunbed base



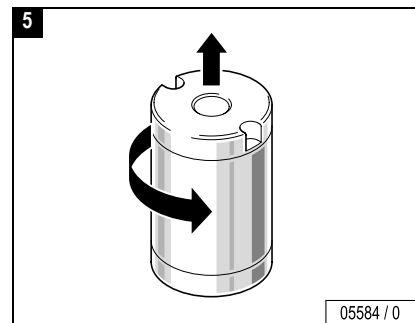
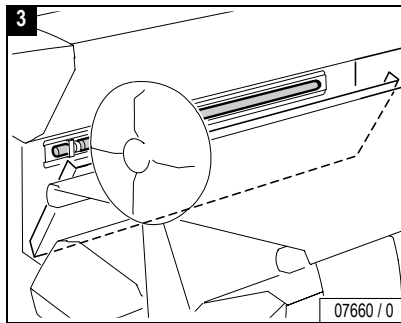
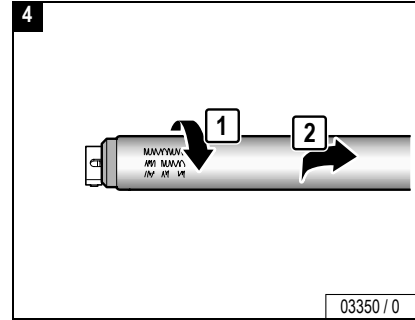
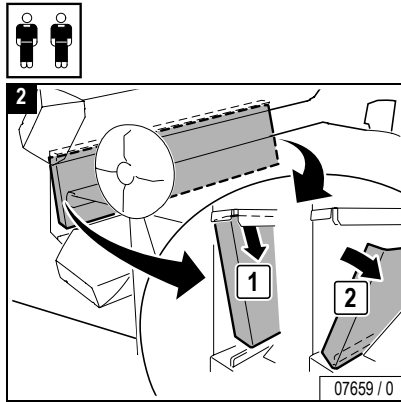
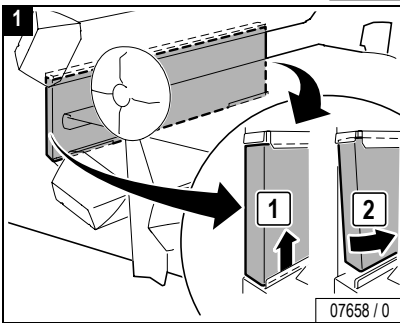
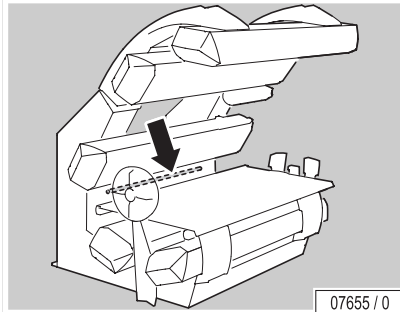
Power Off!



Cleaning/replacing accent lights in the sunbed base

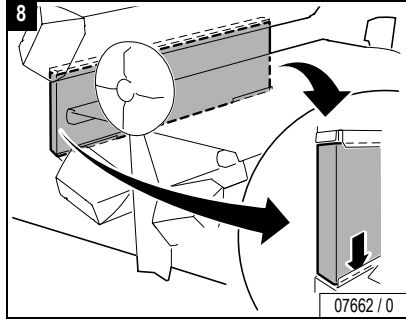
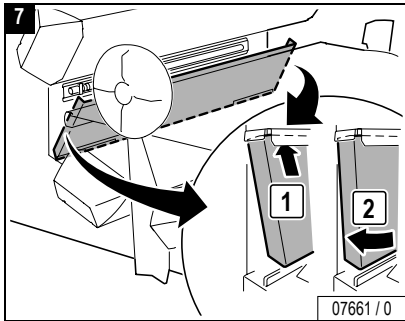
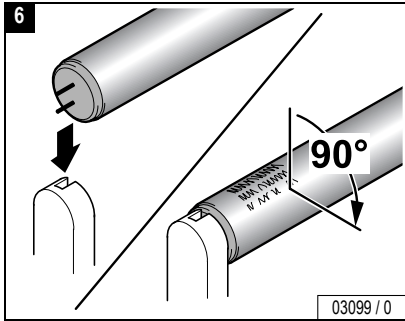


Cleaning/replacing accent light in the side section

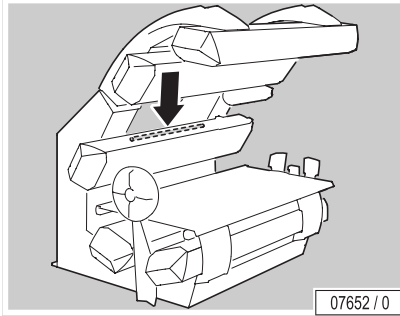


...

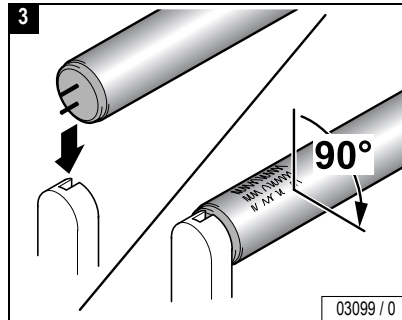
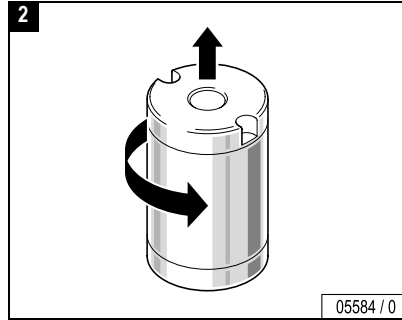
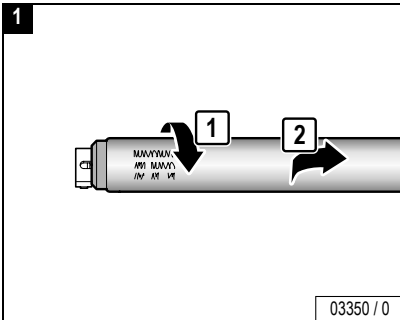
Cleaning/replacing accent light in the side section



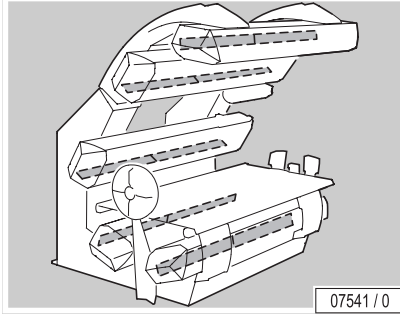
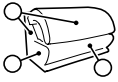
Cleaning/replacing ambient light



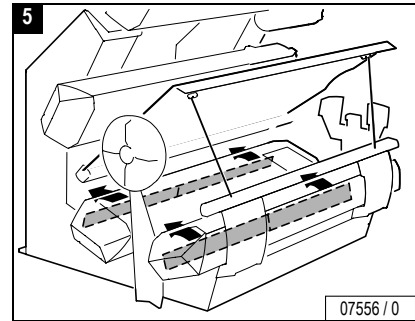
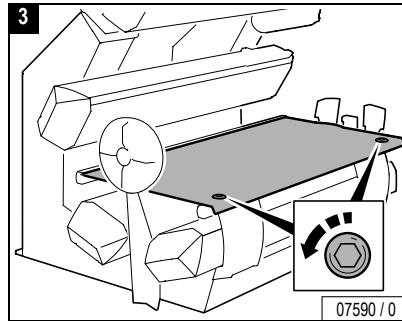
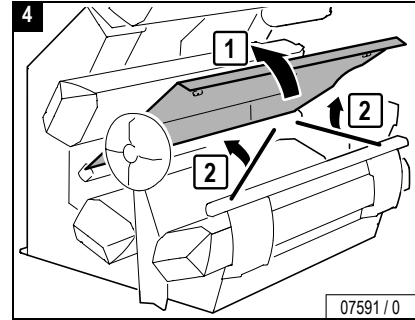
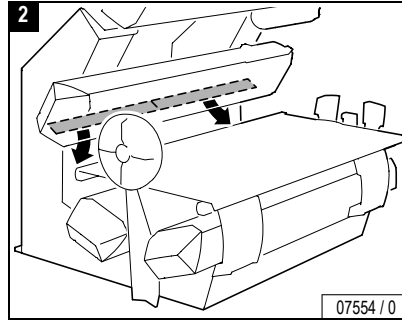
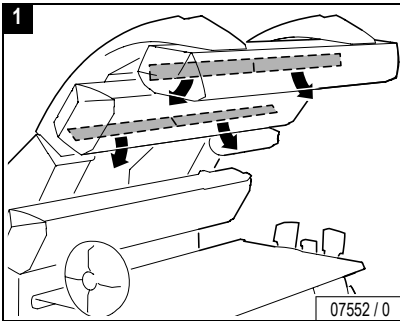
Power Off!



Cleaning or replacing filter mats



Power Off!

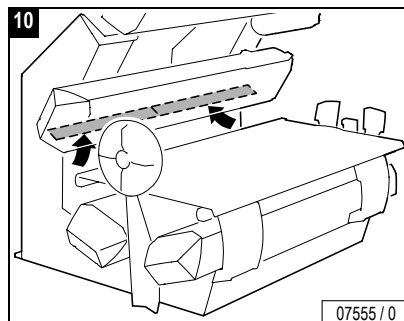
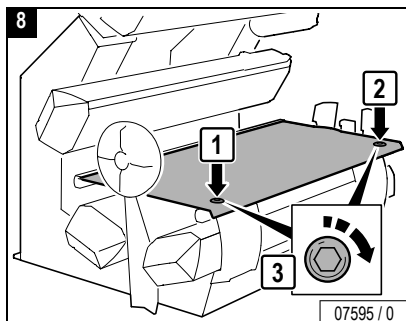
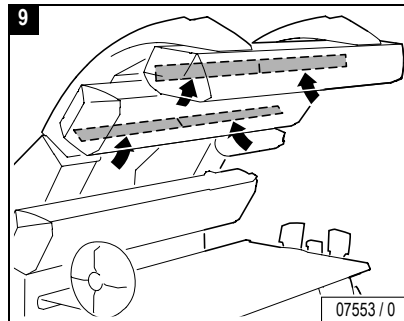
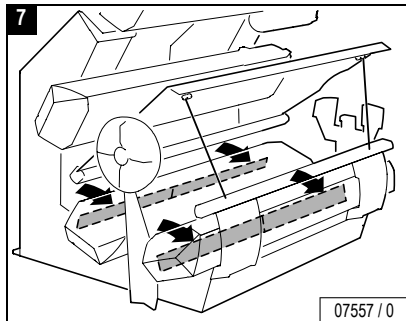
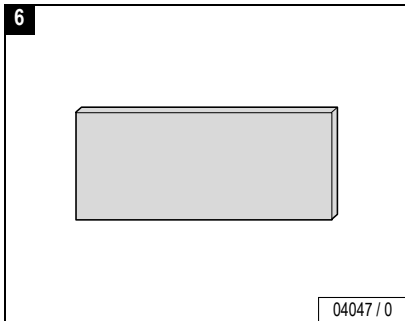


...

Cleaning or replacing filter mats



Rinse with water or replace.




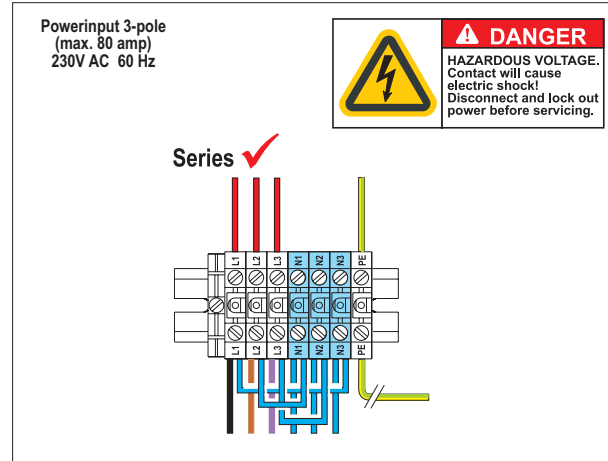
Attention! The system can be damaged by moisture!

When re-assembling, the cleaned filter mats must be dry.



Connected load, power and noise level

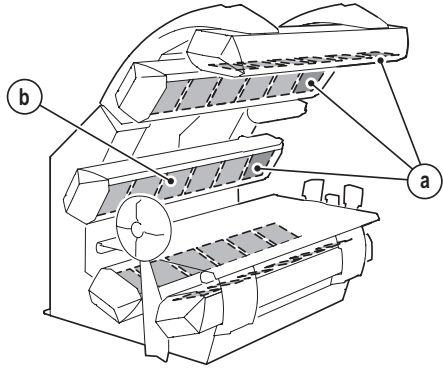
| | |
|--------------------------|---|
| Model: | Soltron XXL-105 Ultra Power |
| Rated power consumption: | 21 500 W |
| Rated voltage: | 230V |
| Rated frequency: | 60 Hz |
| Rated fusing: | 80 amp 3-pole |
| Conformity mark: |  |





04045 / 2



Rated power, activation and power levels of the UV lamps


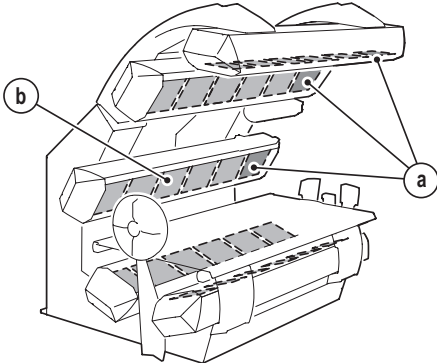







11617 / 0

| | Rated power | Activation / power levels |
|----|---|---------------------------|
| a) |  700 W | 640 W / 500 W |
| b) |  700 W | 580 W |

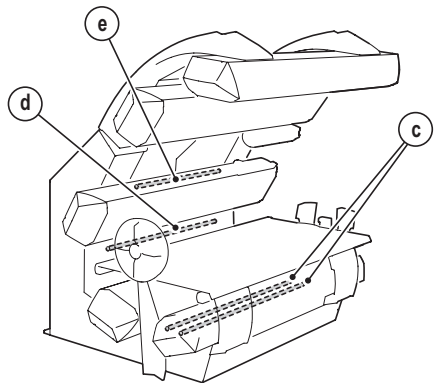


Installed lamps

| Lamps, filter panes | Order No. and lamp name | XXL-105 Ultra Power |  | |
|--|--|---|---|------------|
|  <p data-bbox="536 636 628 661">11617 / 0</p> | UV high-pressure lamps | | | |
| | a) 3 x |  JK 60/80 EF | 700 W | E-13138-.. |
| | b) 27 x |  JK 60/80 EF | 700 W | E-13138-.. |
| | Filter panes | | | |
| a) 3 x |  Ultra Performance 512 (blue) | 1500980-.. | | |
| b) 27 x |  Ultra Performance 511 | 1001069-.. | | |
|  | Note: The UV high-pressure lamps used, JK 60/80 EF can be operated with different wattages. | | | |

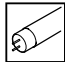
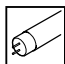
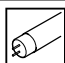


Accent lights



11618 / 0

Standard lamps

| | | | | | |
|----|-----|---|------|------|----------|
| c) | 2 x |  | blue | 58 W | 12063-.. |
| d) | 1 x |  | blue | 36 W | 11792-.. |
| e) | 1 x |  | blue | 30 W | 12377-.. |

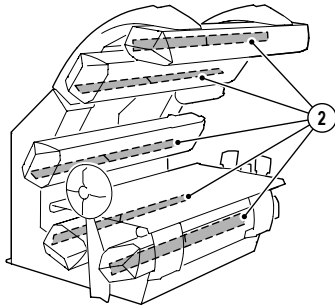
Starter

| | | | | |
|----------|-----|---|-----|----------|
| c) d) e) | 4 x |  | S10 | 10047-.. |
|----------|-----|---|-----|----------|



Spare parts and accessories

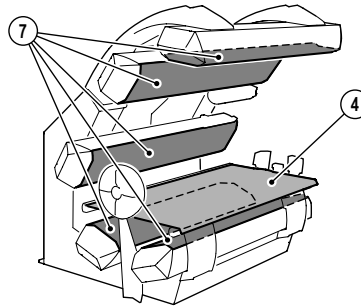
Filter



② 10 x 801532-..

07592 / 0

Acrylic glass



④ 1x 1500757-..

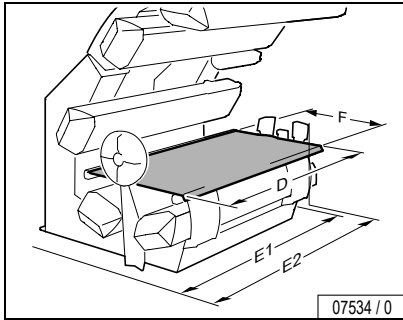
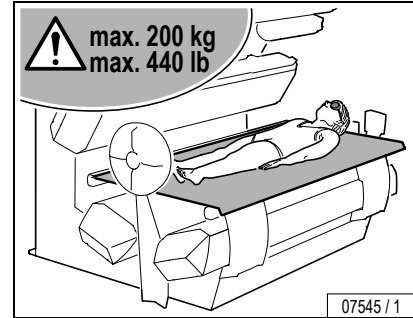
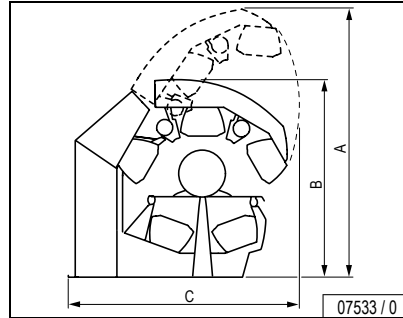
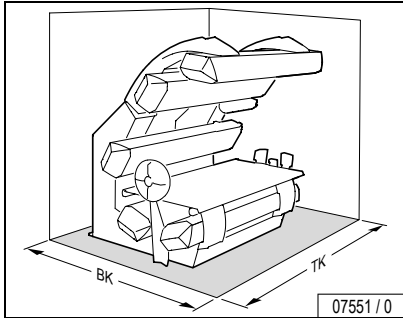
⑦ 5x 703851-..

07544 / 0



Dimensions

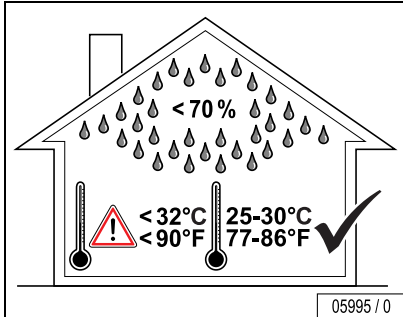
Bed tolerance in room



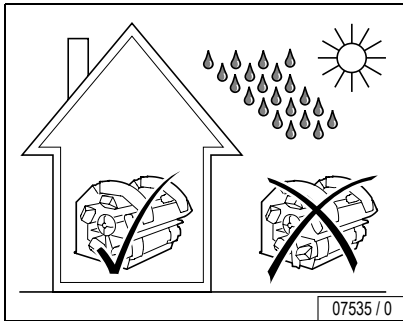
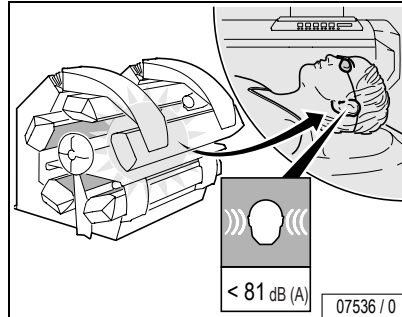
| | | | |
|----|---|-------------------------------------|----------|
| A | = | 78 ⁹ / ₁₆ in | 1,995 mm |
| B | = | 64 ³ / ₈ in | 1,635 mm |
| C | = | 75 ³ / ₁₆ in | 1,910 mm |
| D | = | 80 ³ / ₄ in | 2,051 mm |
| E1 | = | 93 ¹¹ / ₁₆ in | 2,380 mm |
| E2 | = | 97 ⁵ / ₈ in | 2,480 mm |
| F | = | 35 ⁷ / ₁₆ in | 900 mm |
| BK | = | 9 ft | 2,700 mm |
| TK | = | 9 ft | 2,700 mm |

Installation location

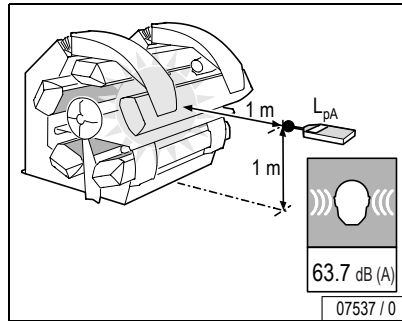
Maximum room temperature / Humidity



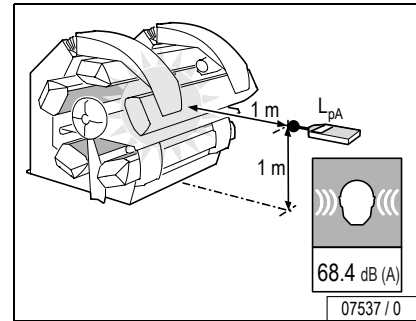
Acoustic level during tanning



with exhaust air system



without exhaust air system



Ventilation



Attention! Danger of failure!

Non-observance of the ventilation information can lead to serious system malfunctions.

Information on air supply and extraction planning can be obtained from the customer service (see Page 2).

Operating altitude

For altitudes greater than 2000 m above sea level a conversion must be carried out to ensure trouble-free operation. Please contact Customer Service (see Page 2) before carrying out the conversion and starting up the unit for the first time.



JK-Products, Inc. – Limited Warranty

JK-Products, Inc. warrants its products to be free from defects in materials and workmanship under intended normal use as described in the unit's Operation and Instruction Manual, for a period of three (3) years from date of sale.

This Limited Warranty applies only to the original purchaser of the equipment through JK-Products, Inc. or its authorized dealer or distributor, and is not transferable.

Global Service USA obligations under this warranty are limited to repair or replacement of any defective part without charge for that part to the original purchaser, with the following exceptions:

- A Fluorescent lamps are warranted against defects for a period of thirty (30) days from date of sale.
- B Only parts obtained through JK-Products, Inc., its authorized dealers or distributors may be used. Transportation costs for parts shipped to the consumer and the return of defective parts to Global Service USA are not included.
- C Labor will be furnished without charge for ninety (90) days from date of purchase only. All labor and related charges must be authorized by Global Service USA prior to start of repairs, and must coincide with Global Service USA established rates and time allotment policy.
- D Acrylic: Refer to Manufacturer's Acrylic Warranty Policy.

It is imperative that the original customer completes and returns the enclosed warranty card within 10 days after purchase to insure valid registration and coverage for potential claims.

If the warranty card is not registered, proof of purchase from JK-Products, Inc. or its authorized dealer or distributor will be required prior to any consideration on warranty claims. This could result in service delays.

This warranty is extended to the individual or legal entity, whose name appears on the warranty registration card filed with Global Service USA, or whose name appears on the original sale document and may not be transferred to any other individual or legal entity.

This warranty does not apply to any failure of the product, or any parts of the product due to alterations, modifications, misuse, abuse, accident, improper maintenance, improper installation, acts of God or if the serial number on the product has been removed, altered or defaced. Adequate packaging must be used for returned goods to prevent freight damage.

There are no warranties which extend beyond the description on the face hereof. There is no express or implied warranty of fitness of merchantability.

The remedies provided in this limited warranty are the exclusive remedies provided to the purchaser by Global Service USA and are provided in substitution of all other remedies. Consequential and incidental damages are excluded.

No person, firm or corporation is authorized to obligate JK-Products, Inc. for any liability in connection with the sale or use of these goods.



Limited Acrylic Warranty

JK Products, Inc. warrants its acrylic sheets to be free from defects in material and workmanship, under intended normal use, for a period of one (1) year from date of sale of the tanning bed. Due to the tanning lotions, cosmetics, disinfectant and improper cleaners used on tanning surfaces that cannot be controlled by JK Products, Inc., after the first thirty (30) days of warranty period acrylic will be subject to a prorated cost to the consumer.

JK Products, Inc. obligations do not include transportation charges on replacement acrylic.

JK Products, Inc. assumes no liability for the cost of removing defective sheets or installing replacement sheets, nor for damage to persons or property.

To make a claim, contact an authorized dealer or distributor of JK-Products, Inc. or Global Service USA with the model number, the serial number, and the date of purchase of the bed in which the acrylic will be used.

There are no warranties which extend beyond the description on the face hereof. There is no express or implied warranty of fitness or merchantability.

The remedies provided in this limited warranty are the exclusive remedies provided to the purchaser by Global Service USA and are provided in substitution of all other remedies. Consequential and incidental damages are excluded.

Global Service USA

A Div of JK Products & Services, Inc.
#1 Walter Kratz Drive
Jonesboro, AR 72401

☎ 800-445-0624

☎ 870-935-9046

e-mail: support@jkamerica.com

<http://support.jkamerica.com>



Warranty Claims

Policy & Procedures

1. When to file a Warranty Claim:

In the event that your tanning system is not functioning properly under intended normal use as described in the unit's Operation an Instruction Manual, you may then have established cause to file a Warranty Claim.



NOTE:

Both the tanning system and legal registered owner must meet the criteria established under JK Products, Inc. Limited Warranty as described in this manual before any Warranty Claim will be considered.

2. Where to call to place a Warranty Claim:

JK-Products, Inc. is supported nationwide by an extensive dealer/distributor network through whom the majority of our units are sold. These dealers/distributors are required by contract to stock sufficient parts to meet the various warranty and nonwarranty needs of their customers.

Therefore, in order for you to properly file a Warranty Claim, you must locate the name and phone number of the dealer/distributor through whom you purchased your unit. Normally this information can be easily located either on your paid invoice or other proof of purchase documentation that you received when taking delivery of the unit.

Next, notify the dealer/distributor of the serial number, model number and date unit was purchased. This will initiate the Warranty Claim process.

Upon determination of the problem, your dealer/distributor can then supply you with the part(s) and proper instructions to return your unit to working order.

Each dealer/distributor has their own internal procedure for handling Warranty Claims and credits.



NOTE:

JK-Products, Inc., the manufacturer, does not involve itself in the direct handling of a Warranty Claim except where mitigating circumstances apply and where required by law.



NOTE:

If part returned to Global Service USA proves to be operational and not defective, or if product code numbers on part do not correspond with individual unit date on file with Global Service USA, then a 30% restocking fee will be charged in addition to the retail purchase price of part.

Acknowledgment of the Agreement is not required for acceptance of the foregoing stipulations.

Labor Warranty Claim/Credit Procedures

Global Service USA furnishes labor without charge for a period of 90 days from date of purchase. All labor and related charges must be authorized by Global Service USA prior to start or repairs, and must coincide with Global Service USA established rates and time allotment policy. Please contact our Service Department for authorization and billing procedures.



Limited Lifetime Warranty

Global Service USA warrants specific individual components of the tanning system against defects in materials and workmanship for the life of the product. Coverage is limited to units purchased after November 1, 1994.

This warranty is restricted by the following components only:

- Steel Back Panels
- Structural Steel Frame Components
- Exterior Steel Body.



NOTE:

Components are warranted on an individual basis and not as they may effect the complete product.

Warranty coverage does not include cosmetic abnormalities such as scratches, nicks, dents, rust, oxidation of paint or other cosmetic changes that do not interfere with the designed function of the unit.

This warranty does not include failure of the product due to alteration, modifications, misuse, abuse, improper maintenance, improper installation or repair.

This warranty is not transferable and is only applicable to the original purchaser named on a completed and registered warranty record at JK-Products, Inc. headquarters.

JK Products, Inc. obligations do not include transportation charged on the shipping of new components to the customer or on the return of defective components of the manufacturer. All freight charges must be paid by the customer.

There are no warranties which extend beyond the description on the face hereof. There is no express or implied warranty of fitness or merchantability.

The remedies provided in this limited warranty are the exclusive remedies provided to the purchaser by Global Service USA and are provided in substitution of all other remedies. Consequential and incidental damages are excluded.



NOTE:

Any misuse, abuse, modification, alteration, improper maintenance, improper installation, etc. of this product or its intended use will subject said party to direct responsibility and liabilities for any and all consequences resulting from such action. Furthermore, such actions will void all warranties and may relieve Global Service USA of any liabilities relating to said product.



Index

A

| | |
|---|--------|
| Accent lights | |
| Cleaning/replacing | 52, 54 |
| Standard | 61, 62 |
| Accessories | 20 |
| Acoustic level | 65 |
| Acrylic glass panel | |
| Allowable loading | 64 |
| Product information | 37 |
| Acrylic glass, cleaning | 35 |
| Ambient light, cleaning/replacing | 56 |
| AQUA FRESH AROMA system | 63 |

B

| | |
|-----------------------------|----|
| Bed tolerance in room | 64 |
|-----------------------------|----|

C

| | |
|--|--------|
| Care | 31, 35 |
| Cleaning | 35 |
| Lamps, filter panels | 36 |
| Cleaning intervals | 38 |
| Cleaning/replacing accent light, side section | 54 |
| Cleaning/replacing accent light, sunbed base | 52 |
| Conformity mark | 59 |
| Connected load | 59 |
| Control elements | 23 |

D

| | |
|--------------------------|----|
| Device description | 19 |
| Dimensions | 64 |
| Disinfection | 35 |
| Disposal of lamps | 17 |

E

| | |
|--------------------------------|----|
| Ending tanning session | 27 |
| Environmental protection | 17 |
| Equipment | 18 |

F

| | |
|--------------------|----|
| Filter mats | 57 |
| Filter panes | 61 |
| Frequency | 59 |
| Functions | 24 |
| Fusing | 59 |

G

| | |
|-----------------------------------|----|
| Global Service USA, address | 2 |
| Guidelines | 15 |

H

| | |
|----------------|----|
| Humidity | 65 |
|----------------|----|

I

| | |
|------------------------------------|----|
| Installation location | 65 |
| Installed lamps | 61 |
| Intended use | 15 |
| Interrupting tanning session | 27 |

L

| | |
|--------------------------|----|
| Lamp configuration | 61 |
| Lamps, disposal | 17 |
| Load, maximum | 64 |

M

| | |
|--------------------------------------|----|
| Maintenance | 34 |
| Maintenance and care | 31 |
| Safety information | 43 |
| Maintenance intervals | 38 |
| Maintenance overview | 34 |
| Malfunctions | 33 |
| MP3 music, product information | 16 |
| MP3 player connection | 28 |

N

| | |
|-------------------|----|
| Noise level | 59 |
|-------------------|----|

O

| | |
|------------------------------------|----|
| Operating altitude | 66 |
| Operating elements | 23 |
| Operation overview | 23 |
| Operator commitments | 15 |
| Order numbers | 63 |
| Overview, operating elements | 22 |

P

| | |
|------------------------|----|
| Packaging | 17 |
| Plastic surfaces | 36 |
| Power | 59 |

Index

| | | | |
|---------------------------------------|----|--|----|
| Power consumption | 59 | U | |
| Power, switching off..... | 32 | Using the sunbed | 26 |
| Preparation time | 26 | UV high-pressure lamps..... | 44 |
| Proper use | 15 | UV lamps | |
| Protective goggles | 26 | Activation..... | 60 |
| | | Power levels..... | 60 |
| R | | Rated power | 60 |
| Relamping..... | 43 | UV low pressure lamps | |
| Room temperature, maximum | 65 | replacing..... | 47 |
| Running time of accent lighting..... | 30 | UV low-pressure lamps | |
| | | Side section..... | 51 |
| S | | V | |
| Safety information, maintenance | 43 | Ventilation data, see Planning Manual..... | 66 |
| Settings during start-up..... | 27 | Voltage | 59 |
| Shoulder tanner | | | |
| Replacing the UV lamps | 47 | | |
| Skin types | 3 | | |
| Spare parts | 31 | | |
| Order-No. | 63 | | |
| Starter | 61 | | |
| Starting tanning..... | 26 | | |
| Sunbed, how to use it | 26 | | |
| | | | |
| T | | | |
| Tanning..... | 26 | | |
| Technical data | 59 | | |
| Timer..... | 26 | | |
